

APPLICATIONS

Cascade offers a number of fork mounted jib cranes that quickly convert a lift truck into a mobile crane to easily move non-palletised product. A variety of Jib Crane models for practically any application to increase lift truck versatility. Models include Multi-Angled, Flat, Slip-On, or Carriage- Mounted, allowing for effective slinging of loads beneath a hook.

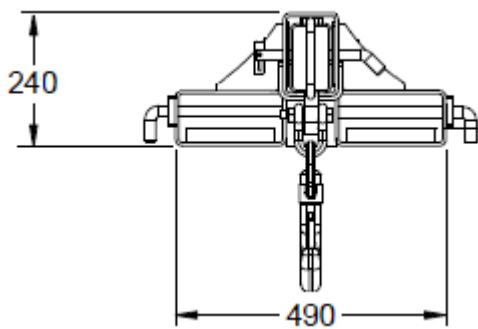
The standard finish on this attachment is zinc.

SPECIFICATIONS

| | |
|----------------|----------|
| SWL | 4500kg |
| H C of G | 822mm |
| V C of G | 193mm |
| Weight | 245kg |
| Fork Pockets | 185x65mm |
| Pocket Centres | 300mm |
| Load Centre | 670mm |



Note: All lift truck attachments affect the safe working load of a lift truck. End users should consult their lift truck supplier to ensure the lift truck is rated for use with these attachments. In the case of a slung load when lifting a jib attachment, the net lifting capacity should be 0.8 times the rating of the lift truck to allow for the swinging load. Please consult your local lift truck



| Position | SWL | Load Cente |
|----------|--------|------------|
| 1 | 4500kg | 870mm |
| 2 | 1650kg | 2010mm |
| 3 | 1250kg | 2380mm |
| 4 | 650kg | 2755mm |
| 5 | 450kg | 3125mm |
| 6 | 200kg | 3495mm |

