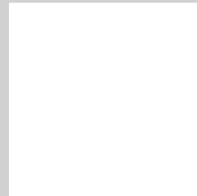


Load Cushion



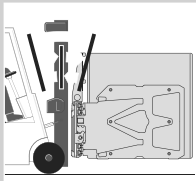
Hoist System Accumulator that absorbs shocks and reduces the clamp force required to handle the load. Available in 475 ml (1 pt) and 950 ml (1 qt) sizes.

4-Point Force Distribution Tester



Portable design measures clamp force quadrants of the contact pad for a reliable measurement. Calibration bar included to ensure equal sensor arm lengths and accurate pressure measurements.

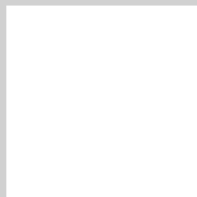
Tilt Control



Two-Way Tilt Control

Automatically controls the angle of the mast and attachment, aligning pad with the load.

TFC™- Touch Force Control System



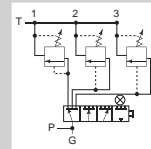
TFC™ is an interactive and easy-to-use touch screen system that works in applications where regulating clamp force and pressure control is required.

Volumetric Force Control (VFC)



VFC system automatically adjusts clamping pressure based on volume of the load. This option is designed to reduce damage caused by excessive force, the VFC calculates the size of load and will clamp with the least amount of force. The operator does not need to judge the clamping force with manual controls. This is completely automatic.

Manual 3-Position Pressure Regulator



Input Flow	Pressure Adjustment
8-75 l/min.	7-207 bar

(Three pressure relief settings plus truck relief)
Allows clamping force to vary from load to load using the minimum required hydraulic pressure setting. Use in conjunction with Load Pressure Tank Line Kit.

Automatic Pressure Control (APC)

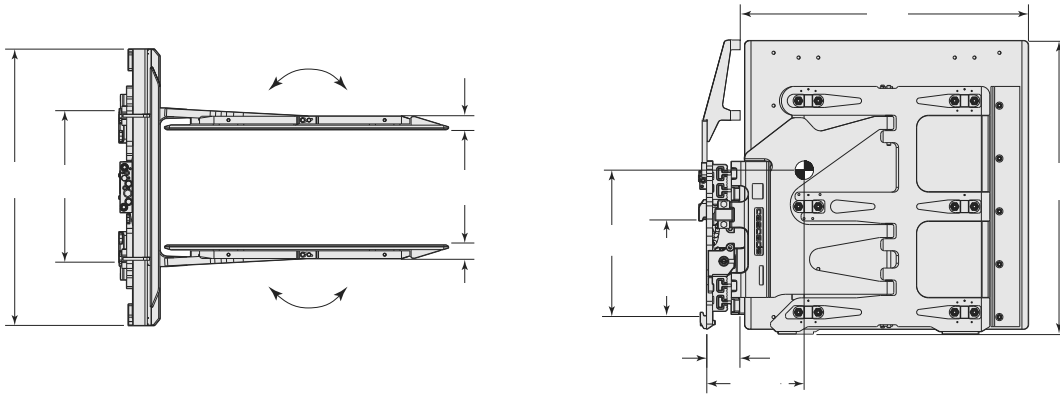
The Automatic Pressure Control system automatically adjusts clamping pressure based on load width. This is designed to reduce damage caused by excessive force, the APC detects the size of load and will clamp with 2 or 3 pre-set amounts of force. The operator does not need to judge the clamping force with manual controls. This is completely automatic.

12J/15J/18J High Pressure	190	250	Yes	4 – 19 – 38	19 – 45 – 61	2	2
---------------------------	-----	-----	-----	-------------	--------------	---	---

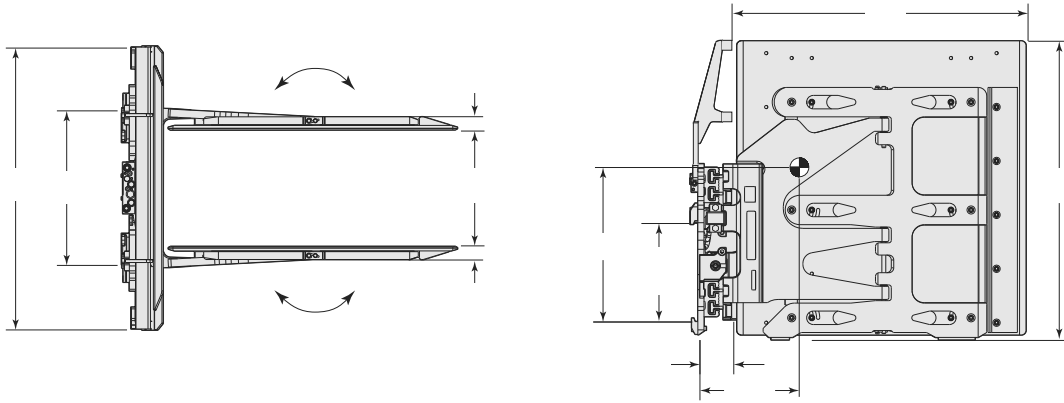
If the maximum deliverable truck pressure exceeds maximum clamp or rotate operating pressure and the attachment used the auxiliary pressure protection is required.



--	--	--	--	--



12J-WGF-2A-00211070@675	1150	460 - 1910	1220	1350	772	50	50	138	461	419	762
12J-WGF-2A-00411070@675	1400	474 - 2154	1220	1350	772	50	50	138	444	416	790
12J-WGF-2A-00611070@675	1600	554 - 2530	1220	1350	972	50	50	138	431	413	827
15J-WGF-2A-00811330@675	1400	474 - 2154	1220	1350	772	48	48	138	446	417	794
15J-WGF-2A-01011330@675	1600	554 - 2526	1220	1350	972	48	48	138	432	413	824
18J-WGF-2A-01211600@675	1400	474 - 2154	1220	1350	772	48	48	143	444	415	800
18J-WGF-2A-01411600@675	1600	554 - 2530	1220	1350	972	48	48	143	430	412	838



12J-WGS-2A-0021070@675	1150	464 - 1914	1220	1350	772	50	50	138	467	419	775
12J-WGS-2A-0041070@675	1400	478 - 2158	1220	1350	772	50	50	138	451	417	809
12J-WGS-2A-0061070@675	1600	558 - 2534	1220	1350	972	50	50	138	437	413	839
15J-WGS-2A-0081330@675	1400	478 - 2158	1220	1350	772	48	48	138	452	417	806
15J-WGS-2A-0101330@675	1600	558 - 2534	1220	1350	972	48	48	138	438	414	836
18J-WGS-2A-0121600@675	1400	478 - 2158	1220	1350	772	48	48	143	449	416	822
18J-WGS-2A-0141600@675	1600	558 - 2534	1220	1350	972	48	48	143	436	412	850