

**APPLICATIONS**

Cascade offers a number of fork mounted jib cranes that quickly convert a lift truck into a mobile crane to easily move non-palletised product. A variety of Jib Crane models for practically any application to increase lift truck versatility. Models include Multi-Angled, Flat, Slip-On, or Carriage- Mounted, allowing for effective slinging of loads beneath a hook.

The standard finish on this attachment is zinc.

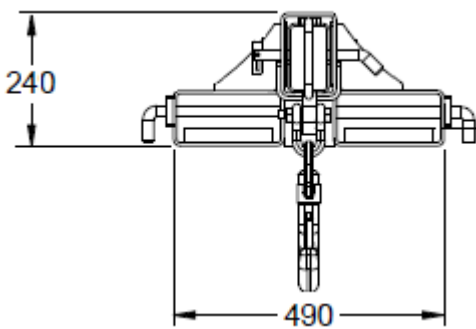
**SPECIFICATIONS**

SWL	4500kg
H C of G	822mm
V C of G	193mm
Weight	245kg
Fork Pockets	185x65mm
Pocket Centres	300mm
Load Centre	670mm



**The image shown is for illustrative purposes only**

*Note: All lift truck attachments affect the safe working load of a lift truck. End users should consult their lift truck supplier to ensure the lift truck is rated for use with these attachments. In the case of a slung load when lifting a jib attachment, the net lifting capacity should be 0.8 times the rating of the lift truck to allow for the swinging load. Please consult your local lift truck*



Position	SWL	Load Cente
1	4500kg	870mm
2	1650kg	2010mm
3	1250kg	2380mm
4	650kg	2755mm
5	450kg	3125mm
6	200kg	3495mm

