

**APPLICATIONS**

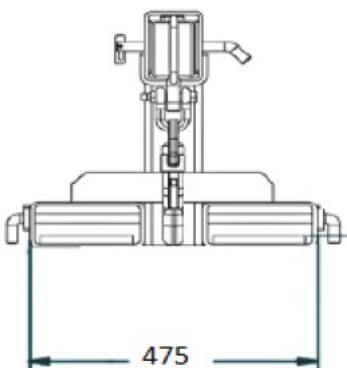
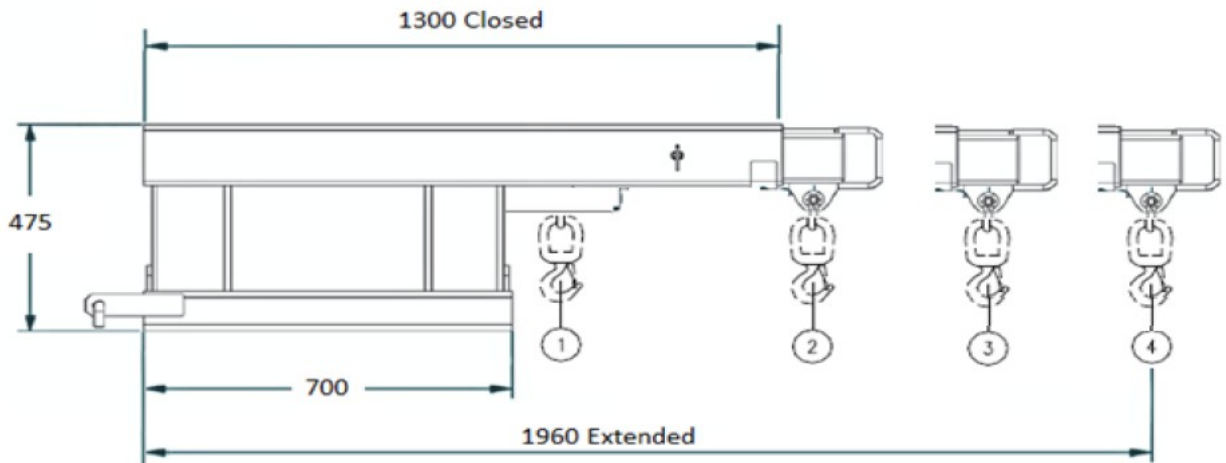
Cascade offers a number of fork mounted jib cranes that quickly convert a lift truck into a mobile crane to easily move non-palletised product. A variety of Jib Crane models for practically any application to increase lift truck versatility. Models include Multi-Angled, Flat, Slip-On, or Carriage- Mounted, allowing for effective slinging of loads beneath a hook. Unit secured to the forklift by safety locking pins or chain. Supplied with rating plate and rated safety swivel hook. The standard finish on this attachment is zinc.

**SPECIFICATIONS**

SWL	2500kg
H C of G	630mm
V C of G	135mm
Weight	100kg
Fork Pockets	185x65mm
Pocket Centres	275mm



*Note All lift truck attachments affect the safe working load of a lift truck. End users should consult their lift truck supplier to ensure the lift truck is rated for use with these attachments. In the case of a slung load when lifting a jib attachment, the net lifting capacity should be 0.8 times the rating of the lift truck to allow for the swinging load. Please consult your local lift truck*



SAFE WORKING LOADS (SWL) PER POSITION				
POSITION	1	2	3	4
EXTENSION (mm)	790	1200	1580	1960
SWL (kg)	2500	1200	900	750