



*Low cost
alternative
for inverting
and dumping
versatility*

Add Rotating Capability To Your Forklift

APPLICATIONS

The Series 3 - 180° Rotator offers an economical alternative for applications which have the need to dump or invert a load. Ideally suited to food processing, automotive manufacturing and general manufacturing operations where bins or stilliages require rotating.

FEATURES

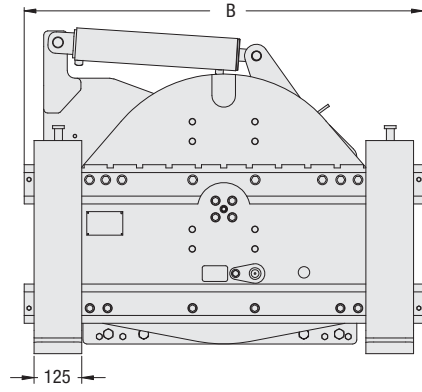
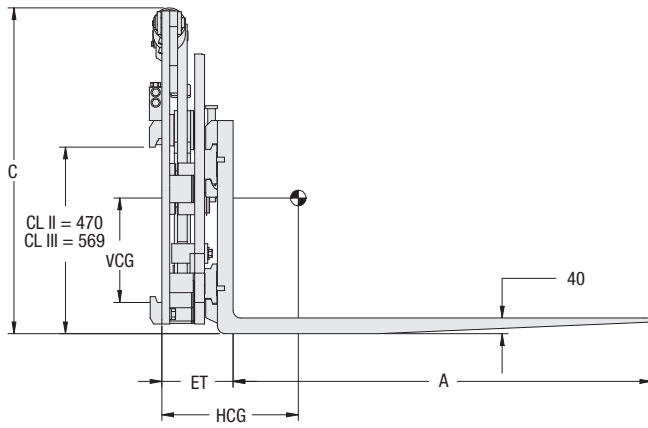
- Cylinder/crank system delivers high torque and fast rotation for greater productivity.
- Rotator apron runs on low maintenance non-lube bushes and nylon bearings.
- Crank cylinder fitted with high pressure seals.
- Cartridge type check valves lock rotation.
- May be ordered with forks or fork bars only.
- Fork tyne third hooks included for those units ordered with fork bars only.
- 180° stop block takes load off rotation mechanism.

OPTIONS

- Special carriage bar width.
- Quick change lower hooks.
- Custom fork sizes and configurations.
- Hydraulic bin hold downs.
- Left or right hand rotation.



180° ROTATOR



180° Rotation

Capacity Kg @ 600mm Load Centre	Rotation Side	Fork Length (mm)	Catalogue Order Number	Mounting Class	Mounting Angle	Min Truck Carriage (mm)	Weight	Effective Thickness (mm)	Horizontal Ctr of Gravity (mm)	Vertical Ctr of Gravity (mm)	Overall Width (mm)	Overall Height (mm)
		A					kg	ET	HCG	VCG	B	C
2500	L/Hand	w/o Forks	3RX25E-A11G	II	0°	813	265	140	66	275	1020	833
2500	R/Hand	w/o Forks	3RX25E-A11F	II	0°	813	265	140	66	275	1020	833
2500	L/Hand	w/o Forks	3RX25E-B11G	III	0°	813	285	145	65	285	1020	833
2500	R/Hand	w/o Forks	3RX25E-B11F	III	0°	813	285	145	65	285	1020	833
2270	L/Hand	1070	3RX25E-A35G	II	0°	813	380	180	170	210	1020	833
2270	R/Hand	1070	3RX25E-A35F	II	0°	813	380	180	170	210	1020	833
2270	L/Hand	1070	3RX25E-B35G	III	0°	813	400	185	165	220	1020	833
2270	R/Hand	1070	3RX25E-B35F	III	0°	813	400	185	165	220	1020	833
2270	L/Hand	1220	3RX25E-A45G	II	0°	813	390	180	195	200	1020	833
2270	R/Hand	1220	3RX25E-A45F	II	0°	813	390	180	195	200	1020	833
2270	L/Hand	1220	3RX25E-B45G	III	0°	813	405	185	190	210	1020	833
2270	R/Hand	1220	3RX25E-B45F	III	0°	813	405	185	190	210	1020	833

- ▶ Attachment capacity is a structural rating only. The type of product to be handled as well as the operating conditions must be considered to determine the working capacity for each application. Actual attachment / truck net working capacity must be obtained from the lift truck manufacturer. Only capacity ratings obtained from the lift truck manufacturer may be entered on the trucks nameplate.
- ▶ Type of selected options is to be specified at time of order.

HYDRAULIC FUNCTIONS

Hydraulic Functions	Truck Auxiliary Valves Required
1	1

HYDRAULIC FLOW & PRESSURE

Maximum Pressure	Min.	Rec.	Max.
160 BAR	10 LPM	20 LPM	30 LPM

Proudly Distributed by:



HS Sales Pty Ltd
 Unit 2 / 3 Atlas Court
 Welshpool WA
 (08) 9458 7933
www.hssales.net
sales@hssales.net

Cascade Australia PTY Ltd. • 1445 Ipswich Rd. • Rocklea, QLD 4106 • Tel: 1800-227-223 • Fax: +61 7 3373-7333