



Rugged, heavy duty push/pull for high volume slip sheet applications.

Double your productivity with an Extended Width Push/Pull

APPLICATIONS

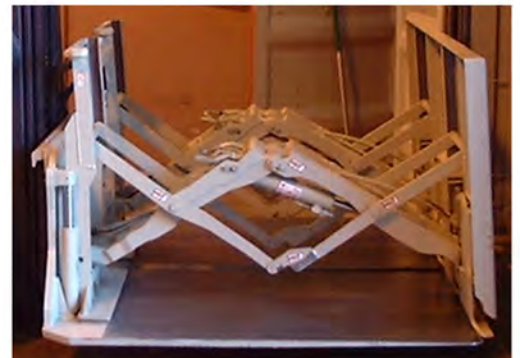
Cascade's Extended Width Push/Pulls are rugged, heavy duty attachments. Ideally suited to high cycle slipsheet applications requiring high productivity with low maintenance. Favoured by manufacturers and logistic operations who handle product on slip sheets into containers, flatbed trucks or onto a pallet for storage. Popular for bagged cement, bagged seed or grain, packaged food, dairy products, fruit and produce.

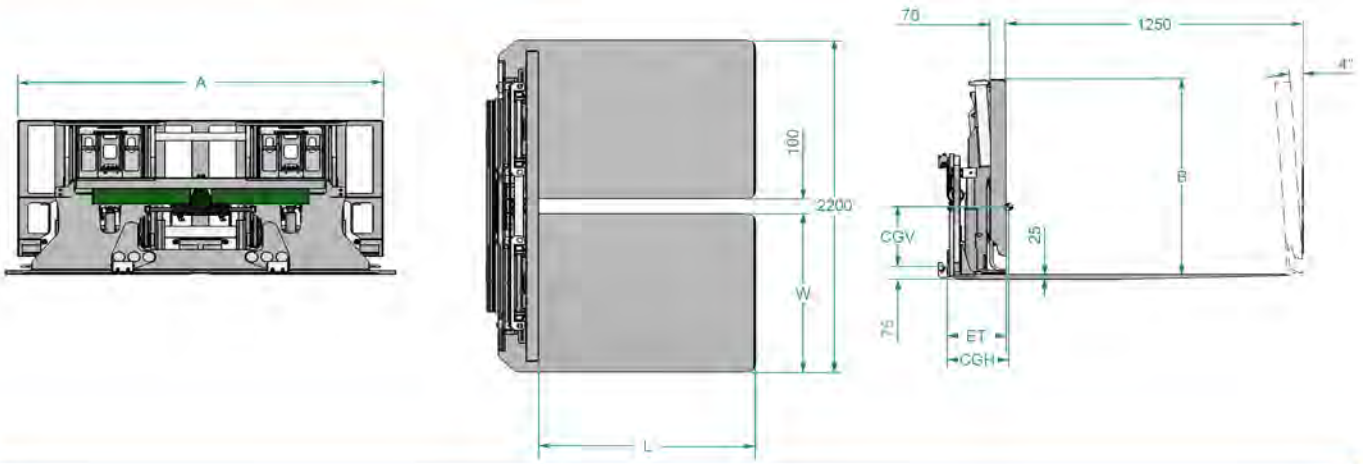
FEATURES

- High visibility pantograph, gripper jaw and faceplate.
- Easy entry gripper jaw and chamfered platen corners protect the slipsheet.
- 4° tilting faceplate.
- High strength, rigid double pantograph system for safe load handling.
- "Cushion" cylinders reduce operating noise.
- Cylinders, valve and hydraulics are protected within the arms.
- Abrasion resistant steel platens.

OPTIONS

- Quick disconnect hydraulic couplers.
- Custom faceplate height and widths.
- Various platen sizes.
- Extended push strokes.
- Attachment mounted solenoid adaption group.
- Hydraulic flow control valve.
- Full selection of basic, load push, sheet-sav™ and non-sideshifting models available.





| Capacity (Kg) @ 600mm Load Centre | Platen Size (Each) WxL | Catalogue Order Number | Mounting Class | Face Plate Size AxxB | Total Sideshift Available | Min Truck Carriage Width | Weight kg | Effective Thickness ET | Horizontal Ctr of Gravity CGH | Vertical Ctr of Gravity CGV |
|-----------------------------------|------------------------|------------------------|----------------|----------------------|---------------------------|--------------------------|-----------|------------------------|-------------------------------|-----------------------------|
| 2500 | 1050 x 1220 | 5DPP26-B030 | III QD | 2060 x 980 | 203 | 1220 | 1200 | 190 | 300 | 250 |
| Sheet-Sav™ Sideshifting | | | | | | | | | | |
| 2500 | 1050 x 1220 | 5DPP26-B030 | III QD | 2060 x 980 | 203 | 1220 | 1260 | 254 | 330 | 200 |

- ▶ Attachment capacity is a structural rating only. The type of product to be handled as well as the operating conditions must be considered to determine the working capacity for each application. Actual attachment / truck net working capacity must be obtained from the lift truck manufacturer. Only capacity ratings obtained from the lift truck manufacturer may be entered on the trucks nameplate.
- ▶ Specifications are subject to change without notice.

HYDRAULIC FLOW & PRESSURE

| Model | Minimum | Recommended | Maximum | Maximum Pressure |
|-------|---------|-------------|---------|------------------|
| DPP26 | 30lpm | 40lpm | 50lpm | 160bar |

HYDRAULIC FUNCTIONS

| Model | Hydraulic Functions | Truck Auxiliary Valves Required |
|-------|---------------------|---------------------------------|
| B030 | 2 | 2 |
| B032 | 3 | 3 |

Proudly Distributed by:



HS Sales Pty Ltd
 Unit 2 / 3 Atlas Court
 Welshpool WA
 (08) 9458 7933
www.hssales.net
sales@hssales.net