



With Rotational Control



## ELECTRONIC ROTATIONAL CONTROL

With Rotational Control



Without Rotational Control



Without Rotational Control



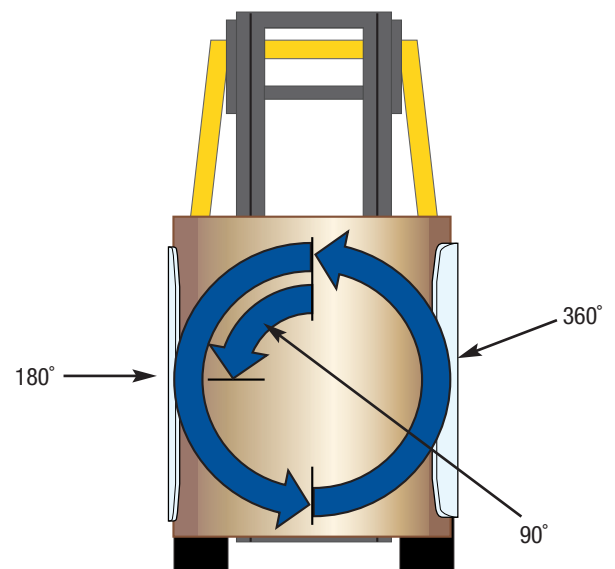
## Precise positioning. Perfect pad placement.

### APPLICATIONS

Automatically allows driver to quickly and precisely pick up and place rolls. By aligning pads with the roll, the Rotational Control helps assure proper pad-to-roll contact and keeps pad edges from digging into the roll. By aligning the roll with the ground or supporting rolls, Electronic Rotational Control eliminates roll edge damage. Won't push bilge rolls away from the clamp due to pad misalignment, and keeps rolls aimed straight during staging at the press or unwinder.

### FEATURES

- Rotation stops at 90°, 180° and 360°.
- Driver can override rotation stop, or rotation stop times out after three seconds, allowing normal control by driver.
- Each stop point is accurate within 1°.
- Each stop point has a deceleration ramp, extending life of rotation mechanism.
- Stop points are electronically controlled; no mechanical hardware to wear out.
- All stops are adjustable.
- Rotation is prevented at each stop by rotation gear mechanism.
- Stops can be easily removed for operations that don't require them.



Standard rotational stops shown.

*Increases productivity by helping the driver quickly and precisely pick up and place rolls, thereby reducing product damage.*

### Proudly Distributed by:



HS Sales Pty Ltd  
Unit 2 / 3 Atlas Court  
Welshpool WA  
(08) 9458 7933  
www.hssales.net  
sales@hssales.net

**cascade**  
corporation

## FIELD INSTALLATION KIT

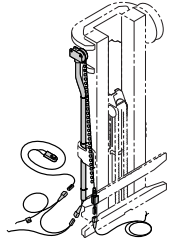
- Includes:** New motor valve  
Wire harnesses  
Stop ramps  
Electronic junction box  
Tap for tapping holes

Requires a power supply ordered separately.

Model	Catalog Order No.
12 Volt—std. single drive	228705
24 Volt—std. single drive	228706
36 Volt—std. single drive	228707
48 Volt—std. single drive	228708

## POWER SUPPLY

- Includes:** Conduit  
Coiled Cord Assembly  
Power Wire Harness  
Pigtail Adapter  
Normally Open Switch  
Hardware for Fastening to Mast and Carriage



For use only on roll clamps with electronic rotational control.

Mast Maximum Fork Height	Conductors	Catalog Order No.
MFH		
188"	2	6001137
240"	2	228719

## OTHER RECOMMENDED DAMAGE REDUCTION OPTIONS

### Clamp Force Indicator



Measuring device that shows the clamp force applied to the load. Used for clamp pressure calibration with systems using pressure relief valves.

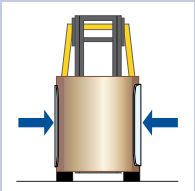
(Paper Roll Clamp version shown.)

### Light Bar Kit and Multi-Setting Relief Valve



The light bar shows the pressure setting in use when installed with the Multi-Setting Pressure Relief Valve.

### AFC



AFC (Adaptive Force Control) is a computer-controlled clamping system that automatically controls the clamp force in proportion to the load weight.

### Adjustable Bumper



Ensures that smaller rolls are correctly positioned between the pads – not trapped in the arms.

### Swing Frame



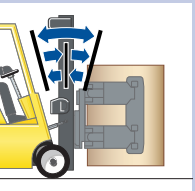
Swing Frame models offer you the optimum in roll handling speed and capability. The lateral 'swing' or sideshifting function adds an extra dimension of flexibility to the clamp's breakout and tight stacking capabilities.

### Split-Arm



Allows secure handling of two stacked rolls of different diameters. Patented hydraulic circuit allows clamping of one roll with minimum top arm movement.

### Tilt Control



Two-Way Tilt Control

Automatically controls the angle of the mast and attachment, aligning pad with the load.

### Load Cushion™



Hoist System Accumulator that absorbs shocks and reduces the clamp force required to handle the load. Available in one-pint and one-quart sizes.

**Proudly Distributed by:**

PO Box 20187 • Portland, OR 97294-0187 • 800 CASCADE (227.2233) • Tel 503.669.6257 • Fax 800.693.3768 •