



## Secure handling of refrigerators, washers, and other white goods.

### APPLICATIONS

Designed specifically for handling a wide variety of appliances in box or clear view packaging configuration. Articulating pads provide optimum contact with the unit load. Stabilizer design distributes clamp force evenly, reducing product damage by requiring less force to hold a load. A sideshift force limitation valve reduces damage by restricting the sideshift backhand force used to position a load against a trailer wall.

### FEATURES

- Improved clamp force distribution to reduce product damage
- Articulating pads to provide full product contact
- Sideshift force limitation valve to prevent product damage
- Increased opening range to handle one to four appliances
- Taller contact pads for maximum load stabilization
- Fast, even arm speed for efficiency and productivity
- Wear tiles on bottom of frame and arms for durability



*An articulating clamp specifically designed for handling a variety of appliances.*

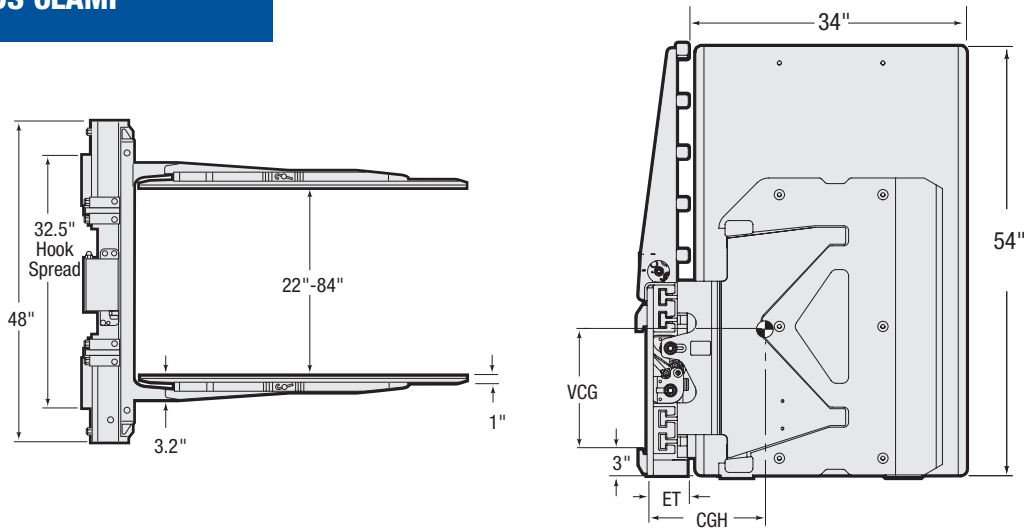
### Proudly Distributed by:



HS Sales Pty Ltd  
Unit 2 / 3 Atlas Court  
Welshpool WA  
(08) 9458 7933  
[www.hssales.net](http://www.hssales.net)  
[sales@hssales.net](mailto:sales@hssales.net)

**cascade**  
corporation

# WHITE GOODS CLAMP



Capacity @ 24" (600 mm) Load Center		Opening Range	Catalog Order No.	Mtg. Class	Min. Truck Carriage Width	Weight		Effective Thickness ET	Horizontal Ctr. of Gravity HCG	Vertical Ctr. of Gravity VCG	Arm Height A	Arm Length B
lbs	kg					lbs	kg					
1,500	680	22"-84"	15D-WGS	II	31"	1,500	680	5"	17"	14"	54"	34"

- ▶ Class II Bolt-On mounting is standard. Class III and Quick-Disconnect mounting also available.
- ▶ Front lower leading edge pad wear can be addressed by periodic replacement of the factory installed wear tiles. Contact Cascade Parts Department at 888-CASCADE (227-2233) for service kits. Cascade recommends using tilt control with all carton clamps.
- ▶ Can easily be converted to non-sideshifting by plugging ports on the valve.

## OPTIONS

- Various contact pad sizes and arm opening ranges
- Pad height extensions
- Three position pressure regulator
- Three position light bar kit
- Anti spike valve
- Tilt Control
- Load Cushion

## INSTALLATION KIT

Catalog Order No.  
659249

## HYDRAULIC FLOW AND PRESSURE

Minimum	Recommended	Maximum	Max. Pressure
5 GPM	5.5 GPM	8 GPM	2,300 PSI/159 bar

## HYDRAULIC FUNCTIONS

Hydraulic Functions	Truck Auxiliary Valves Required
2	2

## MOUNTING CLASS INFORMATION

Mounting Class	Truck Capacity
II	2,000-5,500 lbs.

## Proudly Distributed by:



HS Sales Pty Ltd  
Unit 2 / 3 Atlas Court  
Welshpool WA  
(08) 9458 7933  
www.hssales.net  
sales@hssales.net