

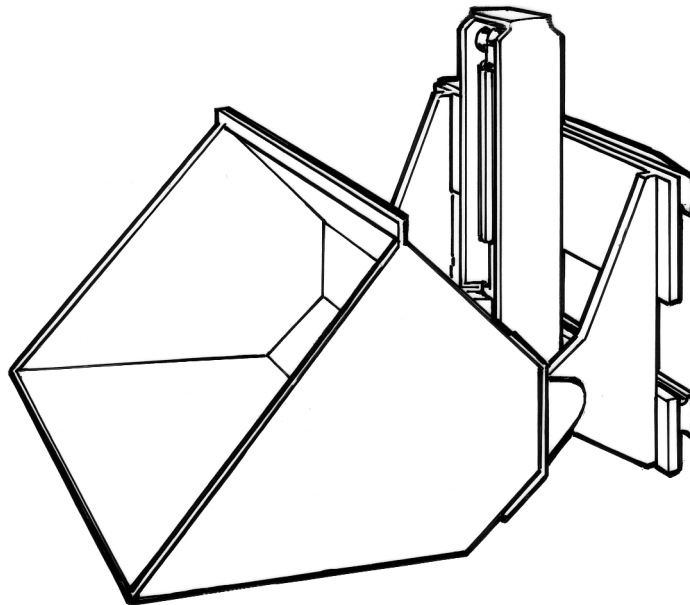


*STRONG, DEPENDABLE ATTACHMENTS AND ACCESSORIES*

2/3 Atlas Court  
Welshpool  
Western Australia 6106

Telephone: (08) 9458 7933  
Facsimile: (08) 9458 1351  
ABN 67 458 625 997

## SCOOP BUCKET CARRIAGE MOUNTED



<b>Model -</b>	<b>HSSBC</b>
<b>Capacity -</b>	<b>0.50 cu meter</b>
<b>Unit width -</b>	<b>1200mm</b>
<b>Unit weight -</b>	<b>350kgs</b>

**One auxiliary function required on the forklift.**