

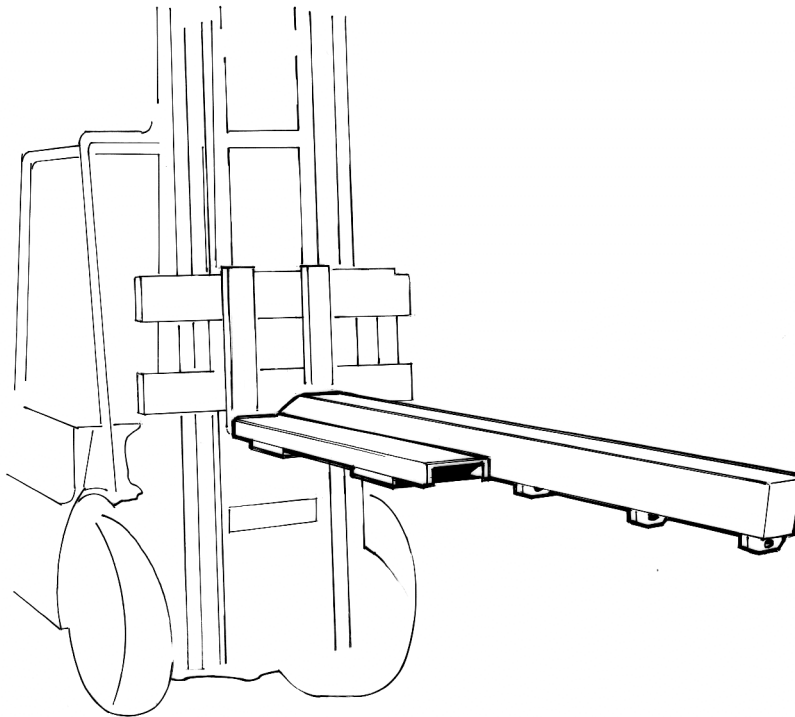


STRONG, DEPENDABLE ATTACHMENTS AND ACCESSORIES

2/3 Atlas Court
Welshpool
Western Australia 6106

Telephone: (08) 9458 7933
Facsimile: (08) 9458 1351
ABN 67 458 625 997

FIXED LENGTH JIB



Model -	HSFJ-45
Capacity -	4500kgs @ 600mm
	2725kgs @ 990mm
	1950kgs @ 1380mm
	1525kgs @ 1770mm
	1350kgs @ 2000mm
Unit weight -	175kgs
Horizontal C of G -	500mm
Lost Load -	0mm
Paint finish -	Golden yellow
Supplied complete with safety swivel hook.	