

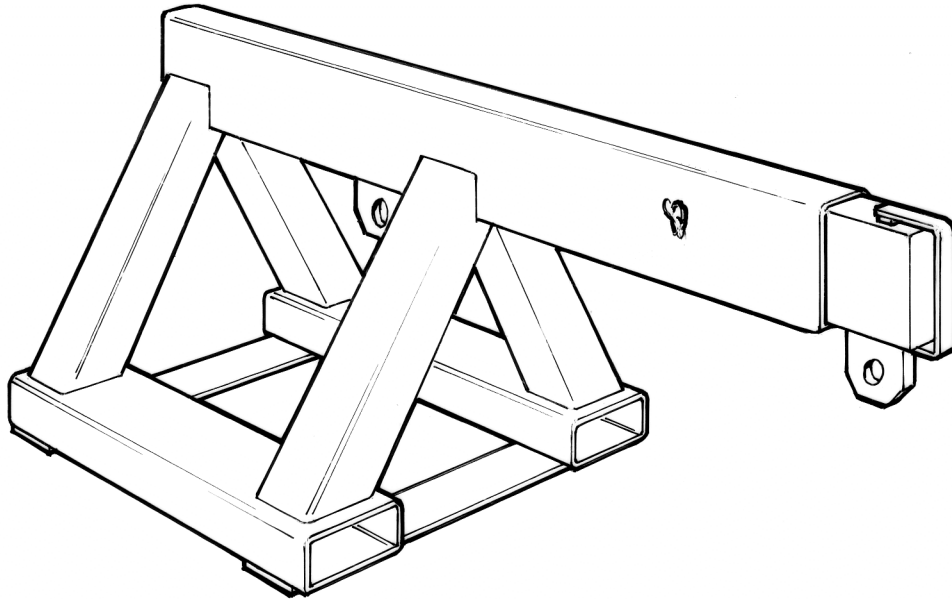


STRONG, DEPENDABLE ATTACHMENTS AND ACCESSORIES

2/3 Atlas Court
Welshpool
Western Australia 6106

Telephone: (08) 9458 7933
Facsimile: (08) 9458 1351
ABN 67 458 625 997

EXTENDABLE JIB



Model -	HSEJ-75
Capacity -	7500kgs @ 600mm
	7500kgs @ 1050mm
	6500kgs @ 1450mm
	5000kgs @ 2050mm
	3750kgs @ 2400mm
	2000kgs @ 2775mm
	1150kgs @ 3150mm
	720kgs @ 3500mm
Unit weight -	273kgs
HCG -	900mm
VCG -	300mm
Lost load -	0mm
Paint finish -	Golden yellow
Supplied complete with safety swivel hook.	