

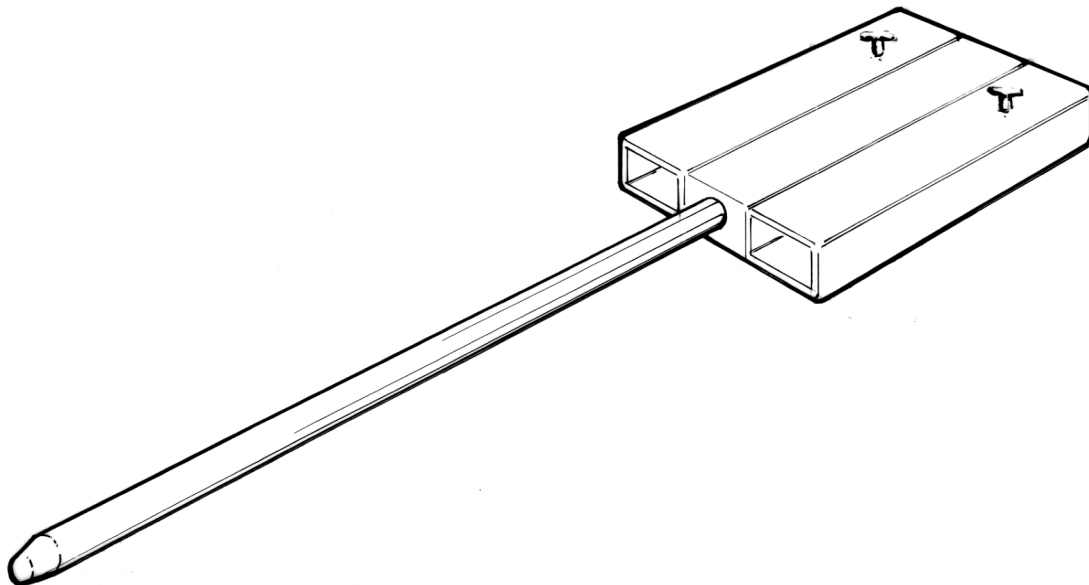


STRONG, DEPENDABLE ATTACHMENTS AND ACCESSORIES

2/3 Atlas Court
Welshpool
Western Australia 6106

Telephone: (08) 9458 7933
Facsimile: (08) 9458 1351
ABN 67 458 625 997

PROBE ATTACHMENT FORK MOUNTED



Model -	HSRPPF
Capacity -	350kgs @ 2200mm
Probe Diameter -	70mm
Probe Length -	2000mm
Unit weight -	150kgs
HCG -	1380mm

Fits over ITA class 2 tynes and is retained by safety chain. Total load length increased by tyne length.