

Load and unload trucks and trains from one side.

Extend the Reach of your Lift Truck with Telescopic Forks or Fork Extensions.

APPLICATION

Increase the efficiency of your forklift truck by using Cascade Telescopic Forks or Fork Extensions.

TELESCOPIC FORKS

Trucks and trains can be loaded and unloaded from one side - no need to move back and forth to either side of the vehicle.

FORK EXTENSIONS

Fork Extensions are designed to handle different pallet sizes. Drive safely with stable, fully supported pallets. With hydraulic fork extensions, simply adjust the fork length to the pallet depth.

FEATURES

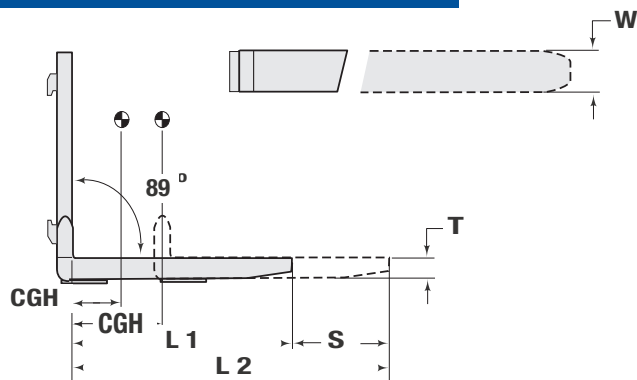
- A flow divider, supplied with each set of Telescopic Forks and Fork Extensions, assures equal fork movement.
- High grade steel and a solid cast nose improves wear ability.
- A reinforced heel design improves deflection.
- Hydraulic connections are protected behind a guard.
- ISO mounting as standard.

OPTIONS

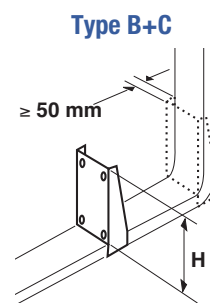
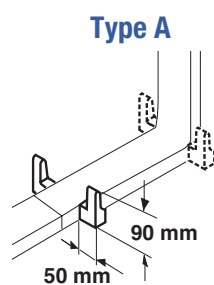
- Special mountings available.
- Pallet Stops to prevent fork from protruding too far outside pallet.
- Can be integrated onto a Fork Positioner.
- Load Backrest to support load when moving forward.
- Wearstrips under forks to improve fork life.
- Available in a variety of fork lengths and strokes.



TELESCOPIC FORKS OR FORK EXTENSIONS



Pallet stop



H dimension:
Type B = 400 mm high
Type C = 850 mm high

Model	Capacity @ 600 mm Load Center	Capacity @ 1750 mm Load Center	Fork Length L1 / L2 (mm)	Fork dimension W x T (mm)	Stroke S=L2-L1	Center of Gravity CGH 1	Center of Gravity CGH 2	Mass kg	Mounting Class
	kg	kg							
Standard model TFQ, telescopic with load									
55B-TFQ-A041	2500	850	1100 / 1850	170 x 56	750	390	500	205	2A
55B-TFQ-A042	2500	850	1200 / 2050	170 x 56	850	440	560	220	2A
55B-TFQ-A043	2500	850	1350 / 2350	170 x 56	1000	500	650	240	2A
77B-TFQ-B041	3500	1200	1100 / 1850	170 x 56	750	400	490	240	3A
77B-TFQ-B042	3500	1200	1200 / 2050	170 x 56	850	440	550	255	3A
77B-TFQ-B043	3500	1200	1350 / 2350	170 x 56	1000	500	640	275	3A
100B-TFQ-B041	4500	1540	1100 / 1850	170 x 56	750	380	480	210	3A
100B-TFQ-B042	4500	1540	1200 / 2050	170 x 56	850	430	550	225	3A
100B-TFQ-B043	4500	1540	1350 / 2350	170 x 56	1000	500	640	245	3A
130B-TFQ-C041	5800	1985	1100 / 1850	170 x 65	750	400	500	250	4A
130B-TFQ-C042	5800	1985	1200 / 2050	170 x 65	850	440	570	270	4A
130B-TFQ-C043	5800	1985	1350 / 2350	170 x 65	1000	500	660	295	4A
175B-TFQ-C041	7700	2640	1100 / 1850	225 x 65	750	360	470	370	4A
175B-TFQ-C042	7700	2640	1200 / 2050	225 x 65	850	400	530	395	4A
175B-TFQ-C043	7700	2640	1350 / 2350	225 x 65	1000	460	620	425	4A
230B-TFQ-C041	10500	3600	1100 / 1850	225 x 75	750	360	460	435	4A
230B-TFQ-C042	10500	3600	1200 / 2050	225 x 75	850	400	520	460	4A
230B-TFQ-C043	10500	3600	1350 / 2350	225 x 75	1000	470	600	500	4A

Slim line model TFF, telescopic with load

70B-TFF-B041	3200	1095	1100 / 1850	170 x 47	750	370	480	190	3A
70B-TFF-B042	3200	1095	1200 / 2050	170 x 47	850	410	540	200	3A
70B-TFF-B043	3200	1095	1350 / 2350	170 x 47	1000	470	630	215	3A

Fork extensions model TFE, for europallets and international pallets

55B-TFE-A051	2500		800 / 1200	170 x 55	400	260	310	170	2A
55B-TFE-A052	2500		1000 / 1200	170 x 55	200	350	380	195	2A
70B-TFE-B051	3200		800 / 1200	170 x 47	400	245	305	155	3A
70B-TFE-B052	3200		1000 / 1200	170 x 47	200	330	375	175	3A
77B-TFE-B051	3500		800 / 1200	170 x 56	400	260	310	195	3A
77B-TFE-B052	3500		1000 / 1200	170 x 56	200	350	380	225	3A
100B-TFE-B051	4500		800 / 1200	170 x 55	400	255	300	175	3A
100B-TFE-B052	4500		1000 / 1200	170 x 55	200	340	370	200	3A

Telescopic forks model TFT, for reachtrucks

40B-TFT-A061	1800	615	1100 / 1850	140 x 55	750	390	500	170	2A
40B-TFT-A062	1800	615	1200 / 2050	140 x 55	850	440	560	185	2A
40B-TFT-A063	1800	615	1350 / 2350	140 x 55	1000	500	550	200	2A
55B-TFT-A061	2500	850	1100 / 1850	140 x 47	750	370	480	160	2A
55B-TFT-A062	2500	850	1200 / 2050	140 x 47	850	410	540	165	2A
55B-TFT-A063	2500	850	1350 / 2350	140 x 47	1000	470	630	180	2A

HYDRAULIC FUNCTIONS

Model	Hydraulic Functions	Truck Aux. Valves Required
TFQ, TFF, TFE, TFT	1	1

HYDRAULIC FLOW & PRESSURE

Min. Flow	Recommended Flow	Max. Flow	Max. Pressure
10 LPM	12 LPM	15 LPM	220 BAR

Cascade Europe • Damsluisweg 56 • PO Box 3009 • 1300 EL, Almere, Netherlands • Tel +31 (0)36 54 92 950 • Fax +31 (0)36 54 92 974
 Cascade (UK) Ltd. • 3 Kellbrook Road • Parkhouse Industrial Estate • Openshaw, Manchester M11 2DD, England • Tel 0044 (0) 800 243015 • Fax +0044 (0) 161 438 4055

cascade
EUROPE

Cascade and Worldfork are registered trademarks of Cascade Corporation.

© Cascade Corporation 2009. All rights reserved.

www.cascorp.com

Form xxxxxxGB 03/09