

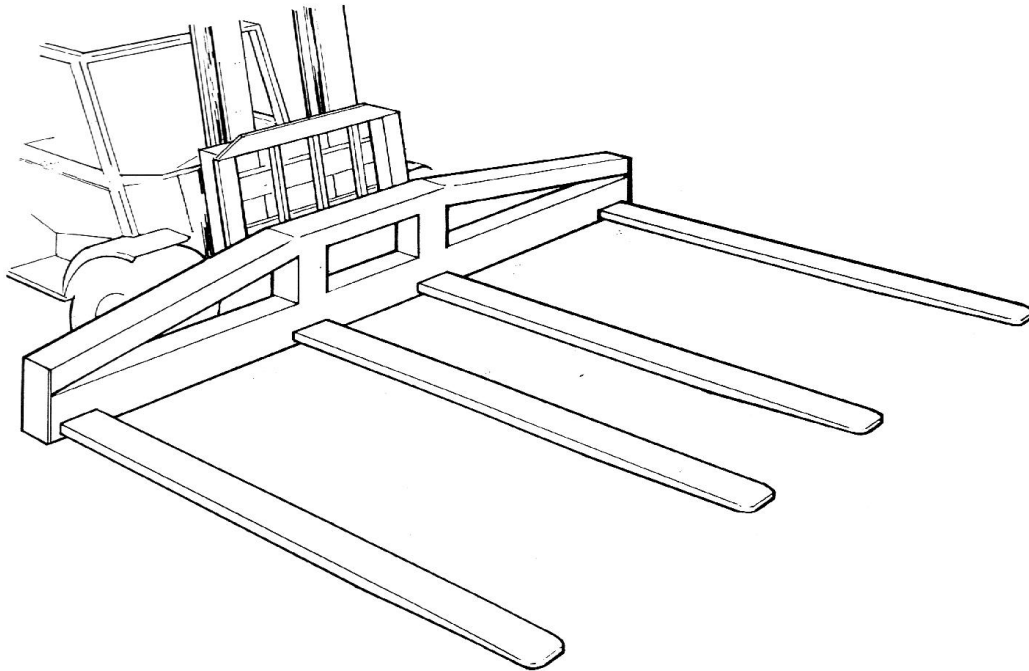


STRONG, DEPENDABLE ATTACHMENTS AND ACCESSORIES

2/3 Atlas Court
Welshpool
Western Australia 6106

Telephone: (08) 9458 7933
Facsimile: (08) 9458 1351
ABN 67 458 625 997

SPREADER FRAME



Model:	HSSF3.0-3.0/1.1
Capacity:	3000kgs @ 600mm
Width:	3000mm
Weight:	355kgs
HCG:	400mm
VCG:	200mm approx.
Lost load:	175mm

Please note that alternate sizes are available.