

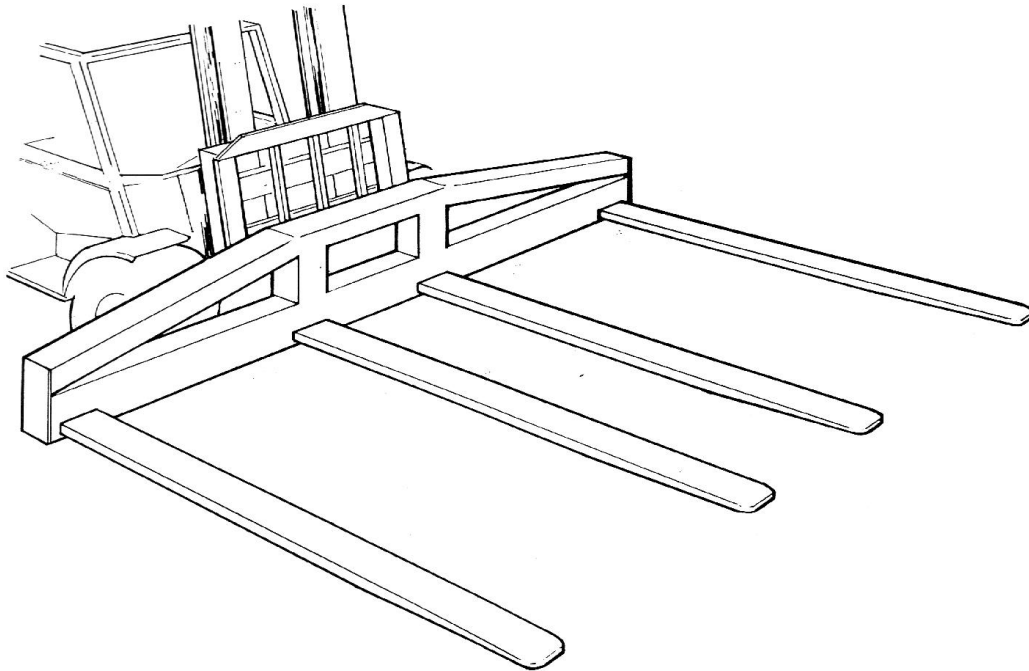


STRONG, DEPENDABLE ATTACHMENTS AND ACCESSORIES

2/3 Atlas Court
Welshpool
Western Australia 6106

Telephone: (08) 9458 7933
Facsimile: (08) 9458 1351
ABN 67 458 625 997

SPREADER FRAME



Model:	HSSF2-40
Capacity:	2500kgs @ 600mm
Width:	4000mm
Fork Length:	1200mm
Inside fork spread:	600mm

Please note that alternate sizes are available.