

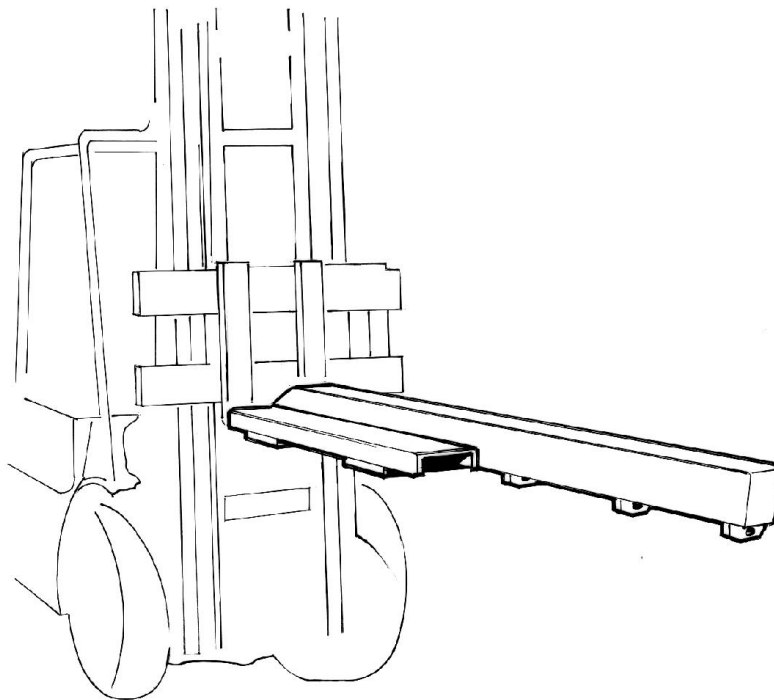


*STRONG, DEPENDABLE ATTACHMENTS AND ACCESSORIES*

2/3 Atlas Court  
Welshpool  
Western Australia 6106

Telephone: (08) 9458 7933  
Facsimile: (08) 9458 1351  
ABN 67 458 625 997

## **FIXED LENGTH JIB**



<b>Model -</b>	<b>HSFJ-45</b>
<b>Capacity -</b>	<b>4500kgs @ 600mm</b>
	<b>2725kgs @ 990mm</b>
	<b>1950kgs @ 1380mm</b>
	<b>1525kgs @ 1770mm</b>
	<b>1350kgs @ 2000mm</b>
<b>Unit weight -</b>	<b>175kgs</b>
<b>Horizontal C of G -</b>	<b>500mm</b>
<b>Lost Load -</b>	<b>0mm</b>
<b>Paint finish -</b>	<b>Golden yellow</b>
<b>Supplied complete with safety swivel hook.</b>	