

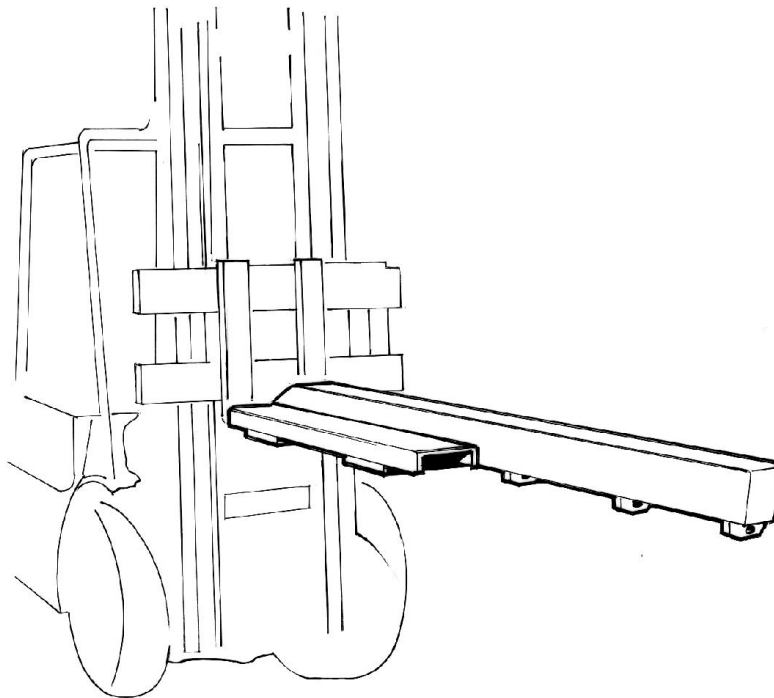


*STRONG, DEPENDABLE ATTACHMENTS AND ACCESSORIES*

2/3 Atlas Court  
Welshpool  
Western Australia 6106

Telephone: (08) 9458 7933  
Facsimile: (08) 9458 1351  
ABN 67 458 625 997

## **FIXED LENGTH JIB**



<b>Model -</b>	<b>HSFJ-25</b>
<b>Capacity -</b>	<b>2500kgs @ 500mm</b> <b>1250kgs @ 1000mm</b> <b>800kgs @ 1500mm</b> <b>600kgs @ 1925mm</b>
<b>Unit weight -</b>	<b>89kgs</b>
<b>Horizontal C of G -</b>	<b>860mm</b>
<b>Vertical C of G -</b>	<b>85mm</b>
<b>Lost Load -</b>	<b>0mm</b>
<b>Paint finish -</b>	<b>Golden yellow</b>

**Supplied complete with safety swivel hook.**