

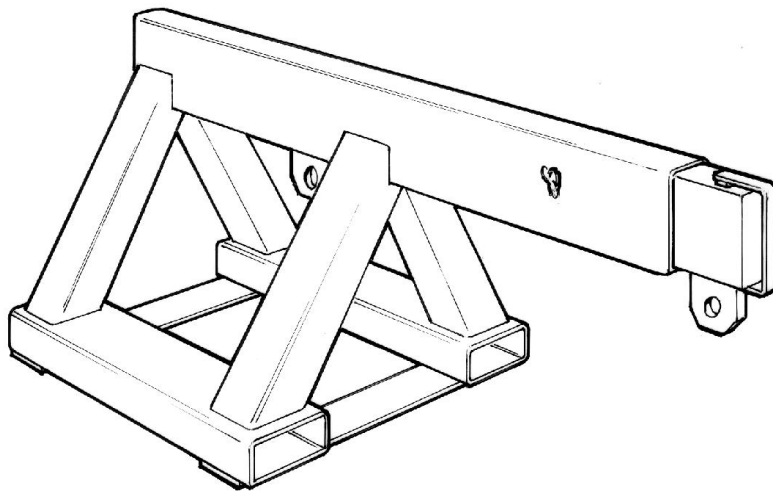


*STRONG, DEPENDABLE ATTACHMENTS AND ACCESSORIES*

2/3 Atlas Court  
Welshpool  
Western Australia 6106

Telephone: (08) 9458 7933  
Facsimile: (08) 9458 1351  
ABN 67 458 625 997

## **EXTENDABLE JIB**



**Model -**  
**Capacity -**

**HSEJ-75**  
**7500kgs @ 600mm**  
**6500kgs @ 1050mm**  
**5000kgs @ 1450mm**  
**5000kgs @ 2050mm**  
**3750kgs @ 2400mm**  
**2000kgs @ 2775mm**  
**1150kgs @ 3150mm**  
**720kgs @ 3500mm**

**Unit weight -**  
**HCG -**  
**Lost load -**  
**Paint finish -**

**350kgs**  
**900mm**  
**0 mm**  
**Golden yellow**

**Supplied complete with safety swivel hook.**