

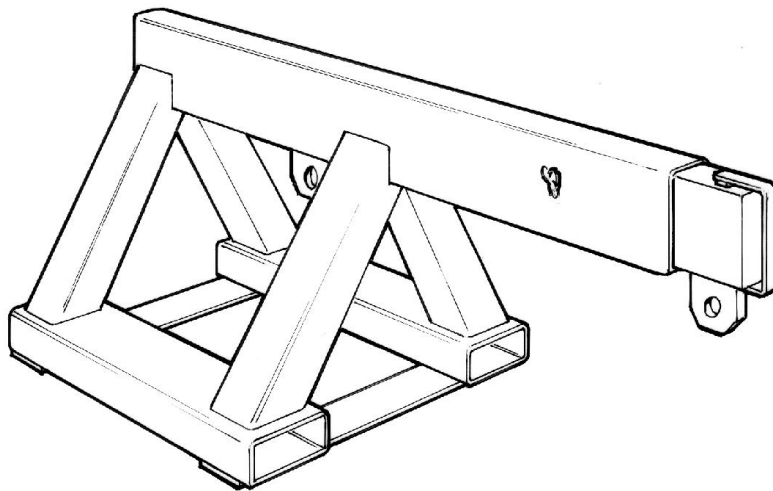


STRONG, DEPENDABLE ATTACHMENTS AND ACCESSORIES

2/3 Atlas Court
Welshpool
Western Australia 6106

Telephone: (08) 9458 7933
Facsimile: (08) 9458 1351
ABN 67 458 625 997

EXTENDABLE JIB



Model -
Capacity -

HSEJ-75
7500kgs @ 600mm
7500kgs @ 1050mm
6500kgs @ 1450mm
5000kgs @ 2050mm
3750kgs @ 2400mm
2000kgs @ 2775mm
1150kgs @ 3150mm
720kgs @ 3500mm

Unit weight -
HCG -
Lost load -
Paint finish -

273kgs
900mm
0 mm
Golden yellow

Supplied complete with safety swivel hook.