

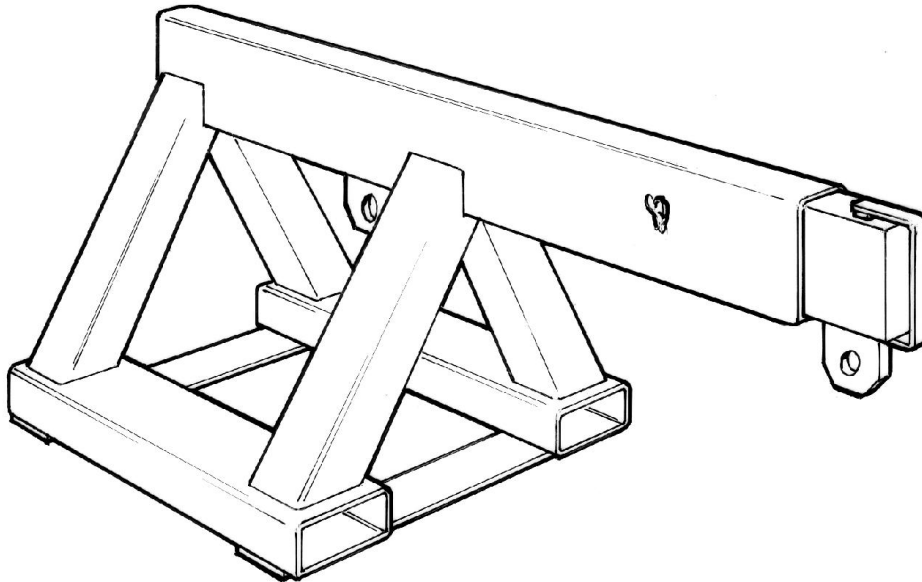


*STRONG, DEPENDABLE ATTACHMENTS AND ACCESSORIES*

2/3 Atlas Court  
Welshpool  
Western Australia 6106

Telephone: (08) 9458 7933  
Facsimile: (08) 9458 1351  
ABN 67 458 625 997

## **EXTENDABLE JIB**



**Model -**  
**Capacity -**

**HSEJ-25SP**  
**2500kgs @ 500mm**  
**1400kgs @ 1250mm**  
**1150kgs @ 1560mm**  
**900kgs @ 1870mm**  
**800kgs @ 2500mm**

**Weight -**  
**H C of G -**  
**V C of G -**  
**Lost Load -**

**113kgs**  
**590mm**  
**375mm**  
**0mm**

**Paint finish -**

**Golden yellow**

**Supplied complete with safety swivel hook.**