

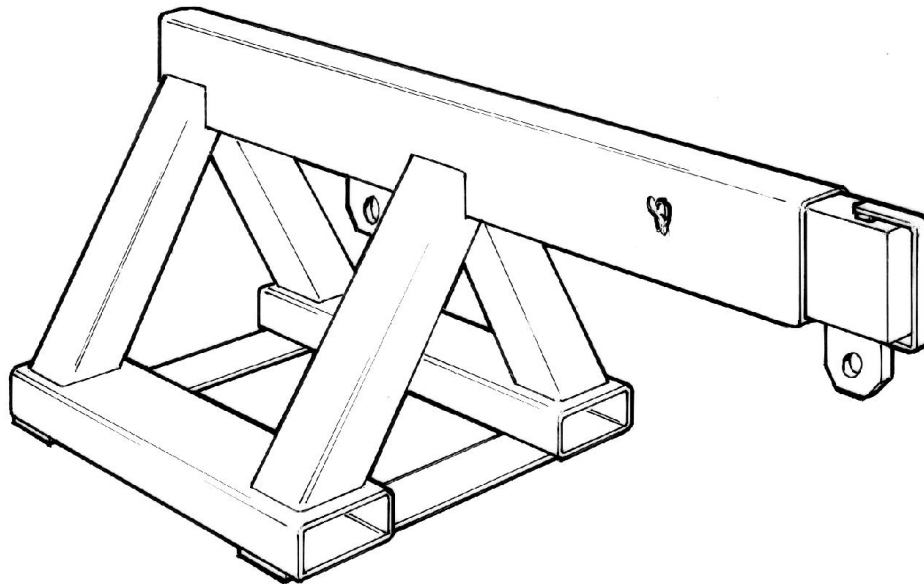


STRONG, DEPENDABLE ATTACHMENTS AND ACCESSORIES

2/3 Atlas Court
Welshpool
Western Australia 6106

Telephone: (08) 9458 7933
Facsimile: (08) 9458 1351
ABN 67 458 625 997

EXTENDABLE JIB



Model -
Capacity -

HSEJ-25
2500kgs @ 500mm
1400kgs @ 1250mm
1150kgs @ 1560mm
900kgs @ 1870mm
750kgs @ 2180mm

Weight -
H C of G -
V C of G -
Lost Load -

103kgs
580mm
375mm
0mm

Paint finish -

Golden yellow

Supplied complete with safety swivel hook.