

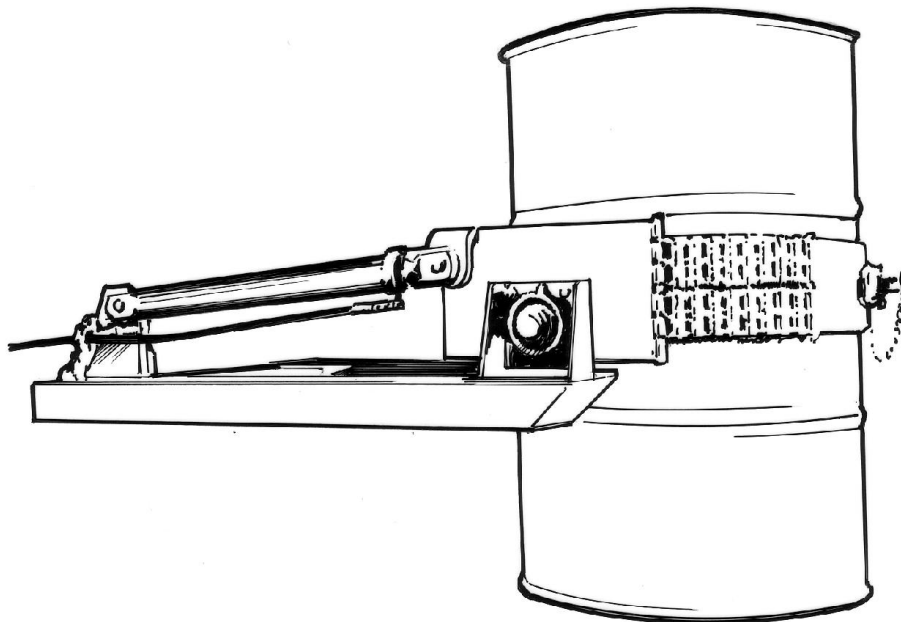


*STRONG, DEPENDABLE ATTACHMENTS AND ACCESSORIES*

2/3 Atlas Court  
Welshpool  
Western Australia 6106

Telephone: (08) 9458 7933  
Facsimile: (08) 9458 1351  
ABN 67 458 625 997

# DRUM TIPPER MANUAL GRAB - HYDRAULIC TIP



<b>Model -</b>	<b>HSDTMCHT</b>
<b>Capacity -</b>	<b>500kgs</b>
<b>Forward rotation -</b>	<b>130 degrees</b>
<b>Unit weight -</b>	<b>150kgs</b>
<b>Paint finish -</b>	<b>Golden Yellow</b>

**Manual grab and hydraulic rotate of 205 litre drums.  
One auxiliary function required on the forklift.  
Connected via quick release couplings. Retained by  
safety chain.**