

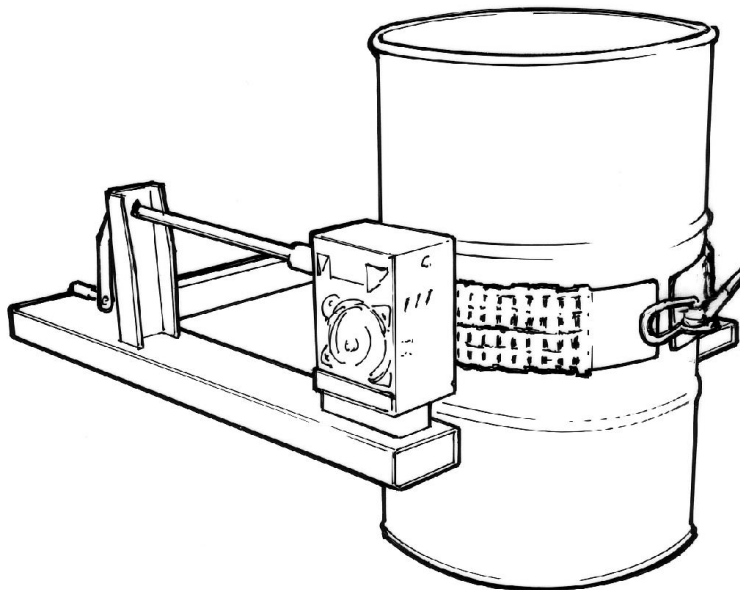


STRONG, DEPENDABLE ATTACHMENTS AND ACCESSORIES

2/3 Atlas Court
Welshpool
Western Australia 6106

Telephone: (08) 9458 7933
Facsimile: (08) 9458 1351
ABN 67 458 625 997

DRUM TIPPER MANUAL



Model -	HSDR-M
Capacity -	500kgs
Forward rotation -	360 degrees
Unit weight -	135kgs
Paint finish -	Golden Yellow

Manual grab and rotate of 205 litre drums via either chain or crank handle. No hydraulics required. Heavy duty gear box holds the weight of the drum. Retained by safety chains.