

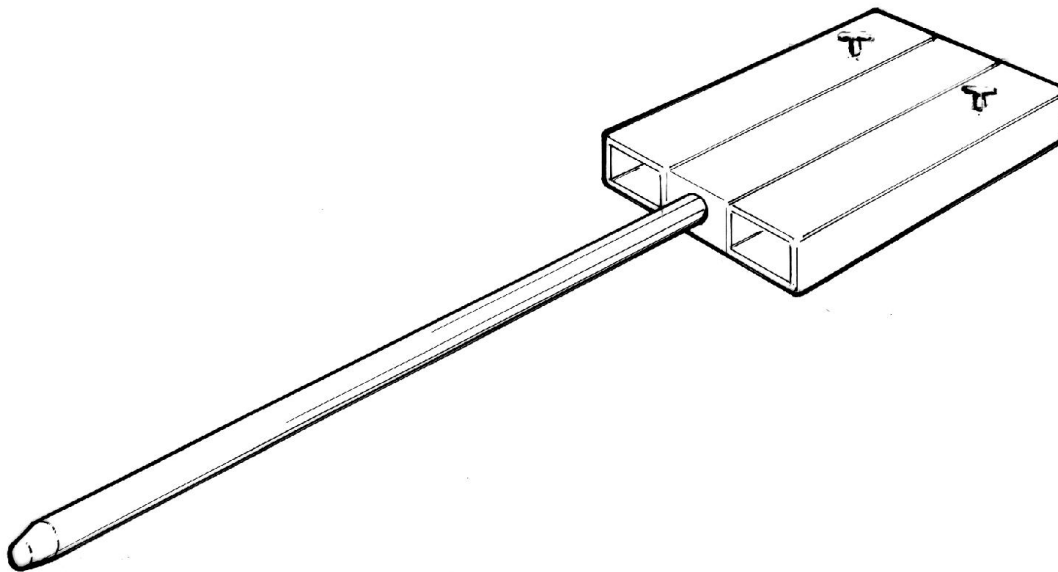


*STRONG, DEPENDABLE ATTACHMENTS AND ACCESSORIES*

2/3 Atlas Court  
Welshpool  
Western Australia 6106

Telephone: (08) 9458 7933  
Facsimile: (08) 9458 1351  
ABN 67 458 625 997

## **PROBE ATTACHMENT FORK MOUNTED**



<b>Model -</b>	<b>HSRPPF</b>
<b>Capacity -</b>	<b>350kgs @ 2200mm</b>
<b>Probe Diameter -</b>	<b>70mm</b>
<b>Probe Length -</b>	<b>2000mm</b>
<b>Unit weight -</b>	<b>150kgs</b>
<b>HCG -</b>	<b>1380mm</b>

**Fits over ITA class 2 tyres and is retained by safety chain. Total load length increased by tyre length.**