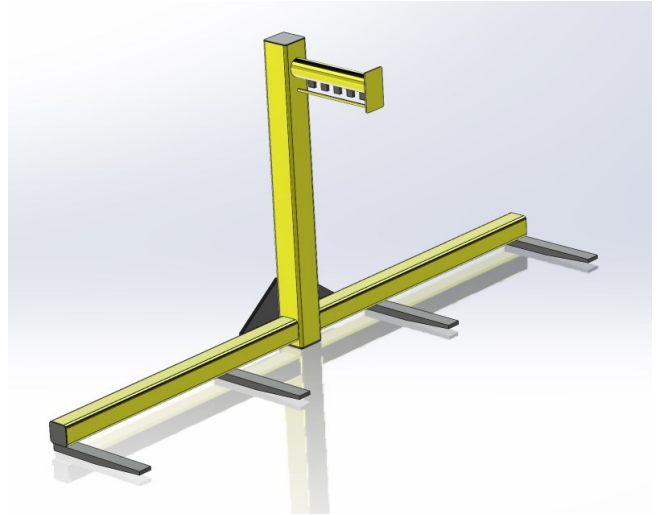


## ABOUT

The Handling Systems Australia range of heavy duty pallet hooks offers a solid and secure solution for lifting palletised goods by overhead crane and truck mounted crane. Designed in accordance with AS4991, the fully welded construction provides a robust attachment for rugged environments.

## FEATURES

- Capacity: 2500kg.
- Weight: 550kgs.
- Height: 2055mm.
- Width: 4510mm.
- Fork QTY: 4 Single Forks- Fixed Position.
- Useable fork length: 620mm.
- In accordance with AS4991.
- Design Ref: HSRD 1655



## CUSTOM SOLUTIONS

The HSPH Pallet Fork range can be designed and fabricated to meet a range of different applications.

Ask us about your custom solution today.

