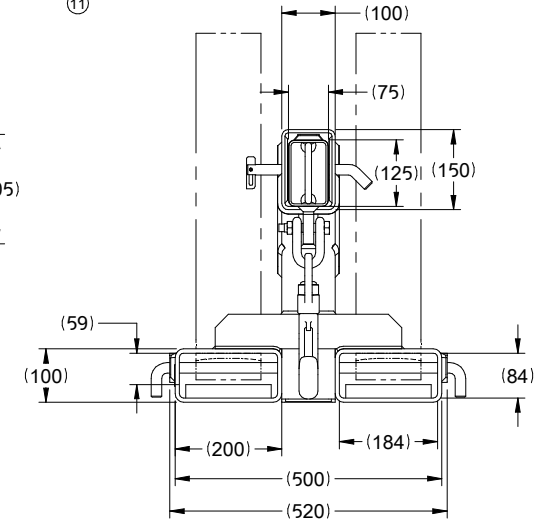
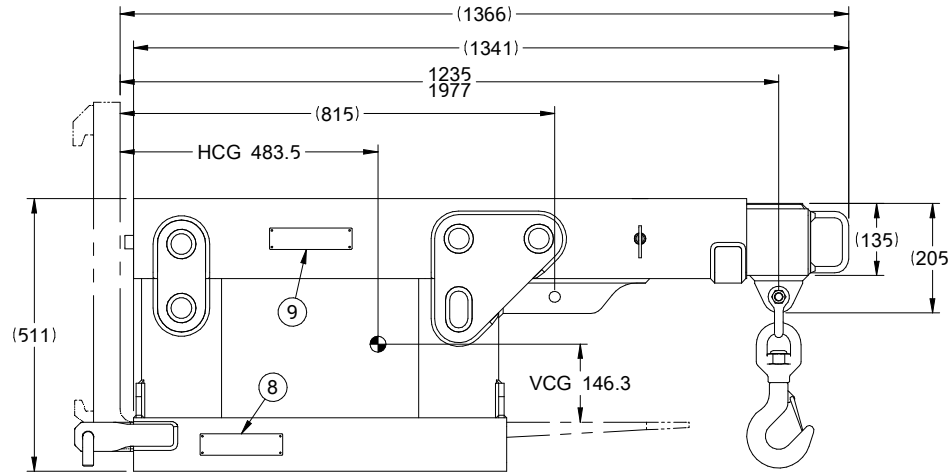
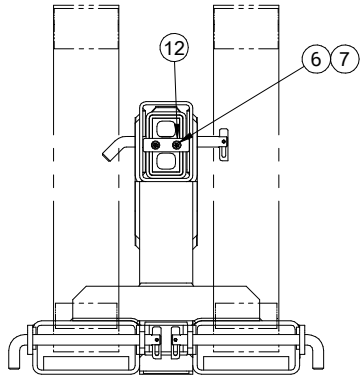
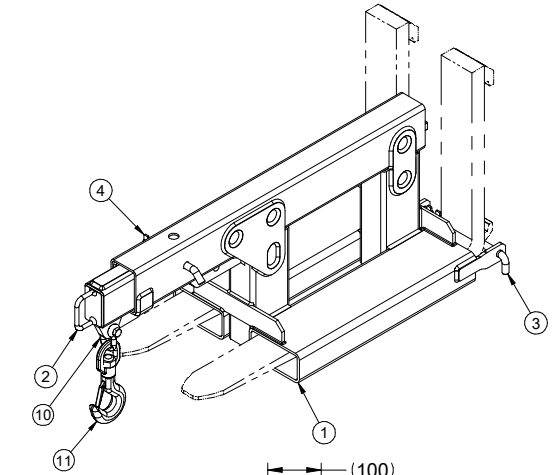
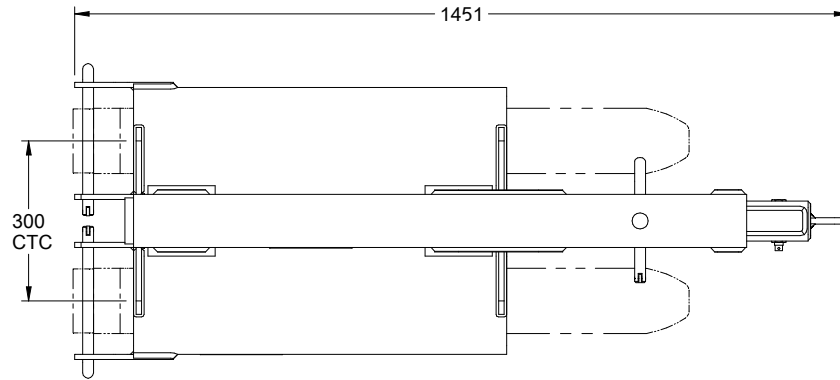


CAPACITY (KG)	LOAD CENTER (MM) (A)
2500	815
1200	1235
900	1605
750	1975



o	o-o	PN	----
1	1	1853578	MAIN WELDMENT
2	1	1853582	INNER JIB WELDMENT
3	2	1852360	RETAINING PIN
4	1	1853558	RETAINING PIN
6	2	C-768793	SCR-SH M8X1.25 L16
7*	2	C-680253	WSHR-LKSP-SH M8 8.1-12.7-2
8	1	6095754	NAMEPLATE
9	1	1869500	SWL DATA PLATE
10	1	6938523	SHACKLE
11	1	6938529	HOOK ASSY
12	1	1857162	STOP

DATAPLATE INFORMATION:

MODEL: 25A-JBE-F-0125
 CAPACITY: 2500 KG AT 815 MM (FROM FORK SHANK)
 ALTERNATE CAPACITIES: REFER TO LOAD CHART
 HCG: 484 MM (B)
 VCG: 146 MM
 WEIGHT: 135 KG

A-UPDATE LC	LISTED	D-CHEW	<p>THIS DRAWING IS THE PROPERTY OF CASCADE AND CONTAINS CONFIDENTIAL INFORMATION. DO NOT REPRODUCE OR USE WITHOUT WRITTEN APPROVAL.</p> <p>FIXED JIB, SHORT 2.5T</p> <p>25A-JBE-F-0125</p>			
B-UPDATE COG		B-HUDSPET				
		2020-10-13				
		135.kg				
<small>SEE CASCADE ENGINEERING STANDARDS FOR DRAFTING CONVENTIONS. UNLESS OTHERWISE SPECIFIED ALL DIMENSIONS ARE IN MILLIMETERS. ALL POSITION TOLERANCES APPLY AT @. ENVELOPE REQUIREMENT, @, APPLIES.</small>			<table border="1"> <tr> <td>1</td> <td>SK-27308</td> <td>R- 3</td> </tr> </table>	1	SK-27308	R- 3
1	SK-27308	R- 3				