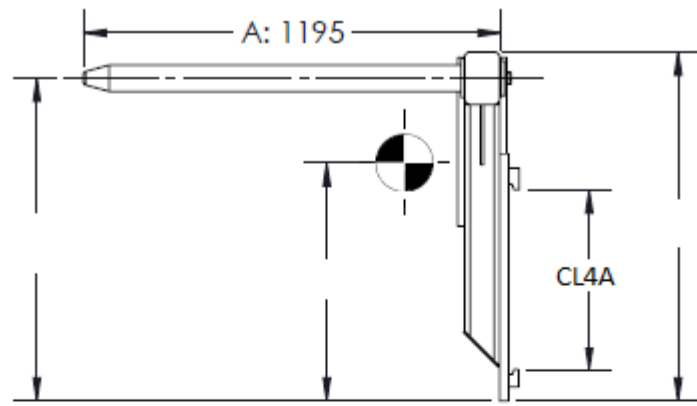
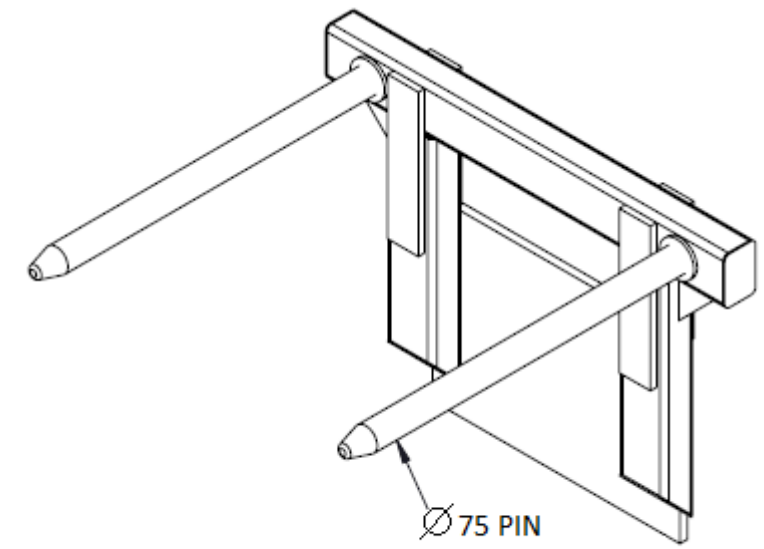
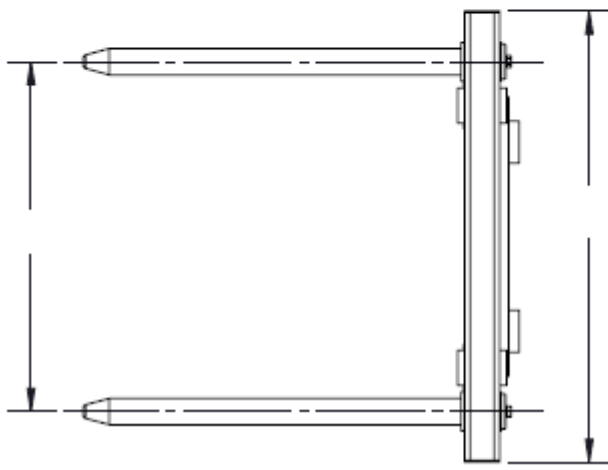



1 2 3 4 5 6 7 8 9 10

A
B
C
D
E
F
G
H
I
J



Specifications	
Model No	HSBBPR
Capacity	3000kg
HC of G	130mm
V C of G	624mm
Lost Load	200mm
Weight	500kg
Mount	Class IV



DATE 2/02/18		HS RESEARCH & DEVELOPMENT PTY LTD 2/3 ATLAS COURT, WELSHPOOL WA 6106 Ph: +61 (08) 9458 7933 F: +61 (08) 9458 1351	
DRAWN		HSBBPR Class IV Carriage Mount Bulk Bag	
CHECKED	GENERAL LAYOUT		
	SCALE:	DIMENSIONS IN MILLIMETRES	

A3

1 2 3 4 5 6 7 8 9 10