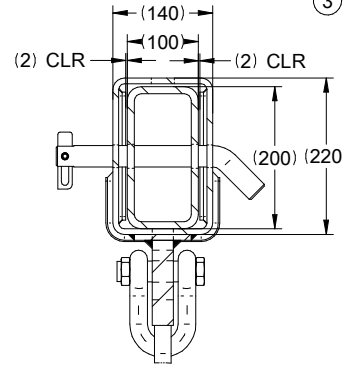
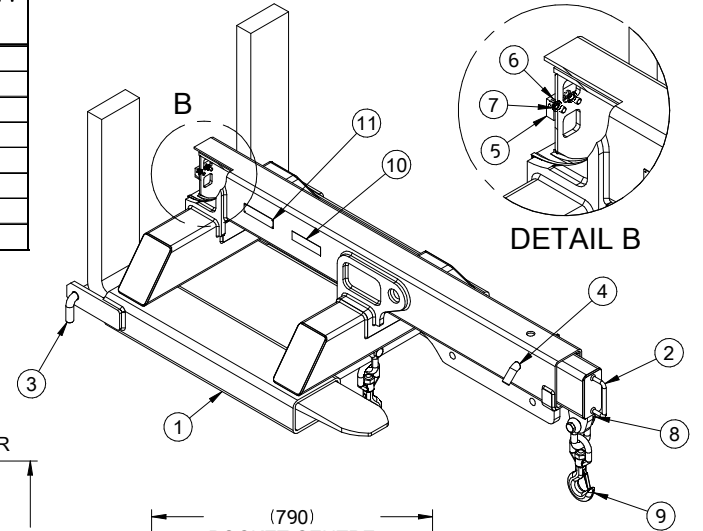
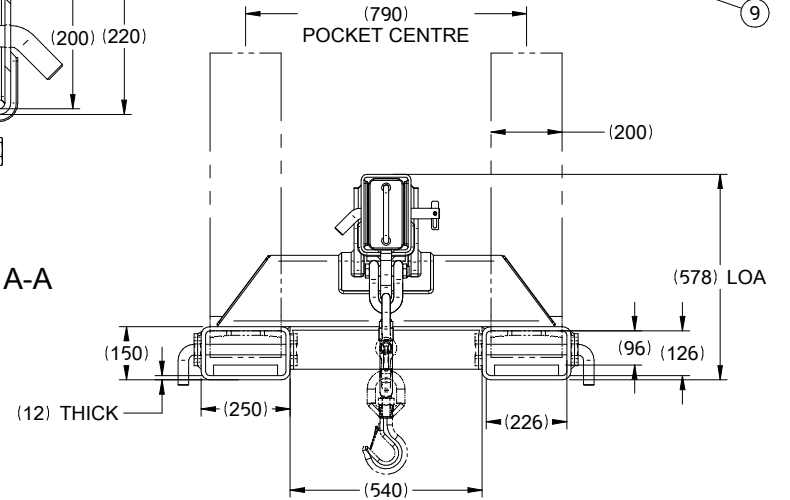


LC POSITION	LOAD CENTRE (LC) (MM)	CAPACITY (KG)
1	920	7500
2	1380	6410
3	1805	5700
4	2045	4950
5	2425	3750
6	2805	1950
7	3185	1140
8	3565	720



SECTION A-A



o	o-o	PN	-----
1	1	1882600	MAIN WELDMENT
2	1	1882606	WELDMENT INNER BOOM
3	2	1874602	RETAINING PIN 30 DIA
4	1	1882610	LOCK PIN 30 DIA
5	1	1882639	BAR STOP
6	2	C-768825	SCR-SH M12X1.75 L20
7	2	C-681473	WSHR-LKSP M12 12.2-21.1-2.5
8	1	1882617	D SHACKLE 8.5 TONNE
9	1	1882618	SWIVEL HOOK WITH LATCH 8 TONNE
10	1	1882690	SWL DATA PLATE
11	1	1854228	NAMEPLATE
12	1	1854268	DECAL, STATUTORY WARNING

DATA PLATE INFORMATION
 MODEL: 75A-JBE-F-0100
 CAPACITY : 7500 KG AT 920 MM
 ALTERNATE CAPACITY : REFER LOAD CHART
 FORK POCKET SIZE : 226 X 96 MM (A)
 WEIGHT : 473. KG
 H.C. OF G : REFER TO DRAWING
 V.C. OF G : REFER TO DRAWING

A-WAS 230X130	LISTED	<input checked="" type="checkbox"/> DCHEW <input checked="" type="checkbox"/> DCHEW <input checked="" type="checkbox"/>
SEE CASCADE ENGINEERING STANDARDS FOR DRAFTING CONVENTIONS. UNLESS OTHERWISE SPECIFIED ALL DIMENSIONS ARE IN MILLIMETERS. ALL POSITION TOLERANCES APPLY AT (M). ENVELOPE REQUIREMENT, (D), APPLIES.		2021-06-25 473.kg

METRIC

Cascade Corporation
 THIS DRAWING IS THE PROPERTY OF CASCADE AND CONTAINS CONFIDENTIAL INFORMATION. DO NOT REPRODUCE OR USE WITHOUT WRITTEN APPROVAL.

FIXED JIB, LONG 7.5T

75A-JBE-F-0100

7.5 TONNE

1	SK-56107	R- 2
---	----------	------

CASCADE CORPORATION