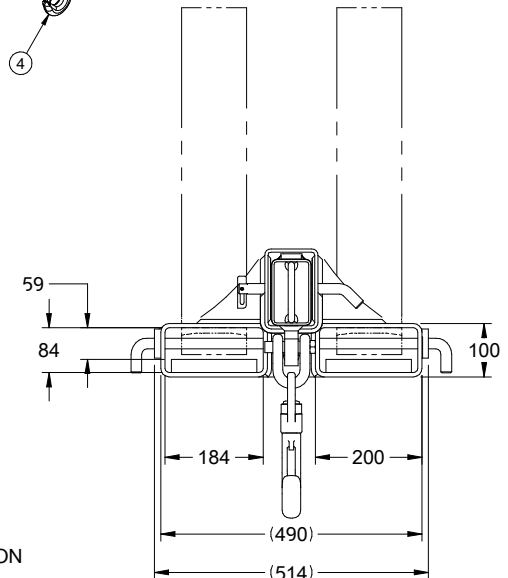
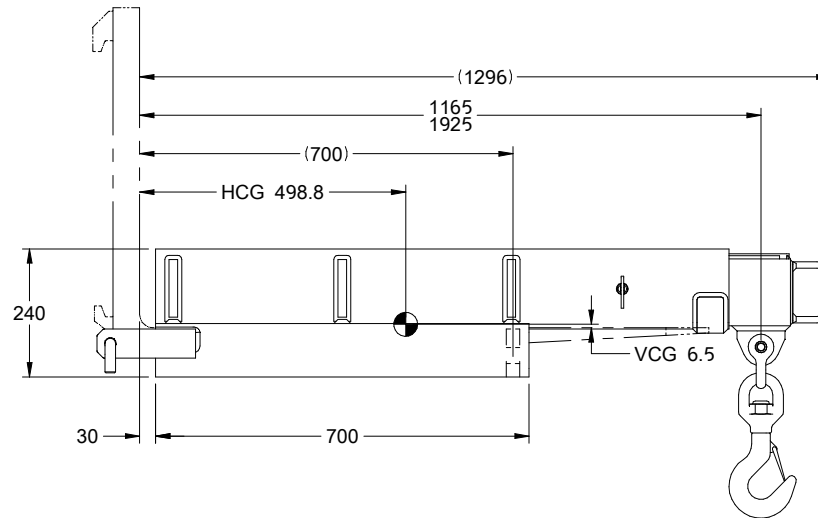
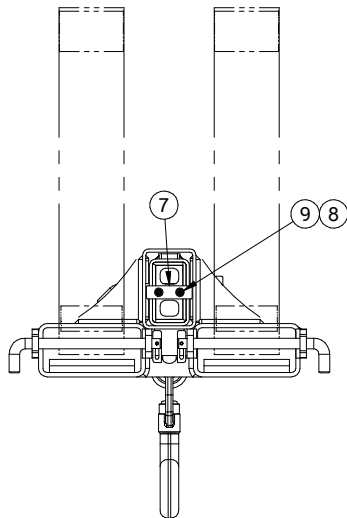
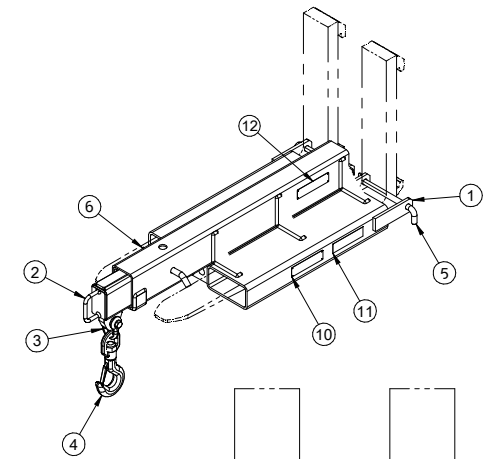
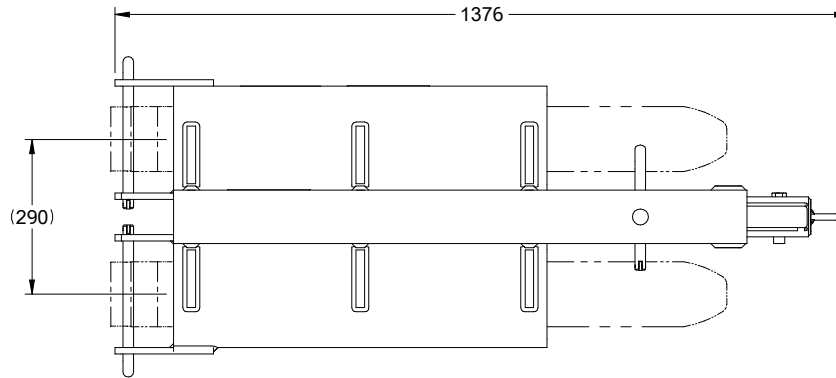


CAPACITY (KG)	LOAD CENTER (MM)
4500	700
2900	1165
1300	1545
750	1925



o	o-o	PN	----	o	o-o	PN	----
1	1	1872923	MAIN WELDMENT	10	1	1854228	NAMEPLATE
2	1	1872926	INNER BOOM WELDMENT	11	1	1854268	DECAL, STATUTORY WARNING
3	1	1862615	D-SHACKLE 4.7 TONNE	12	1	1869605	SWL DATA PLATE
4	1	1862616	HOOK ASSY				
5	2	1852360	RETAINING PIN				
6	1	1853558	RETAINING PIN				
7	1	1857162	STOP				
8*	2	C-680253	WSHR-LKSP-SH M8 8.1-12.7-2				
9	2	C-768793	SCR-SH M8X1.25 L16				

DATA PLATE INFORMATION

MODEL: 45A-JBE-F-0175
 CAPACITY: 4500 KG AT 700 MM (FROM FORK SHANK)
 ALTERNATE CAPACITY: REFER LOAD CHART
 H.C. OF G: 499mm
 V.C. OF G: 7mm
 WEIGHT: 116kg

A-PIC REV	LISTED	<input checked="" type="checkbox"/> DCHEW <input checked="" type="checkbox"/> BHUDSPET <input checked="" type="checkbox"/>
SEE CASCADE ENGINEERING STANDARDS FOR DRAFTING CONVENTIONS. UNLESS OTHERWISE SPECIFIED ALL DIMENSIONS ARE IN MILLIMETERS. ALL POSITION TOLERANCES APPLY AT @. ENVELOPE REQUIREMENT, @, APPLIES.		2021-01-29 116.kg

METRIC

THIS DRAWING IS THE PROPERTY OF CASCADE AND CONTAINS CONFIDENTIAL INFORMATION. DO NOT REPRODUCE OR USE WITHOUT WRITTEN APPROVAL.

JIB, SHORT-LOW 4500 KG

45A-JBE-F-0175

1	SK-27884	R- 2
---	----------	------

CASCADE CORPORATION ©