

1 2 3 4 5 6 7 8 9 10

A

A

B

B

C

C

D

D

E

E

F

F

G

G

H

H

I

I

ESTIMATED SPECIFICATIONS

SWL: 2500kgs @ 975mm

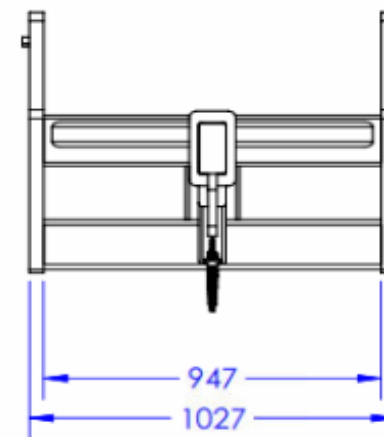
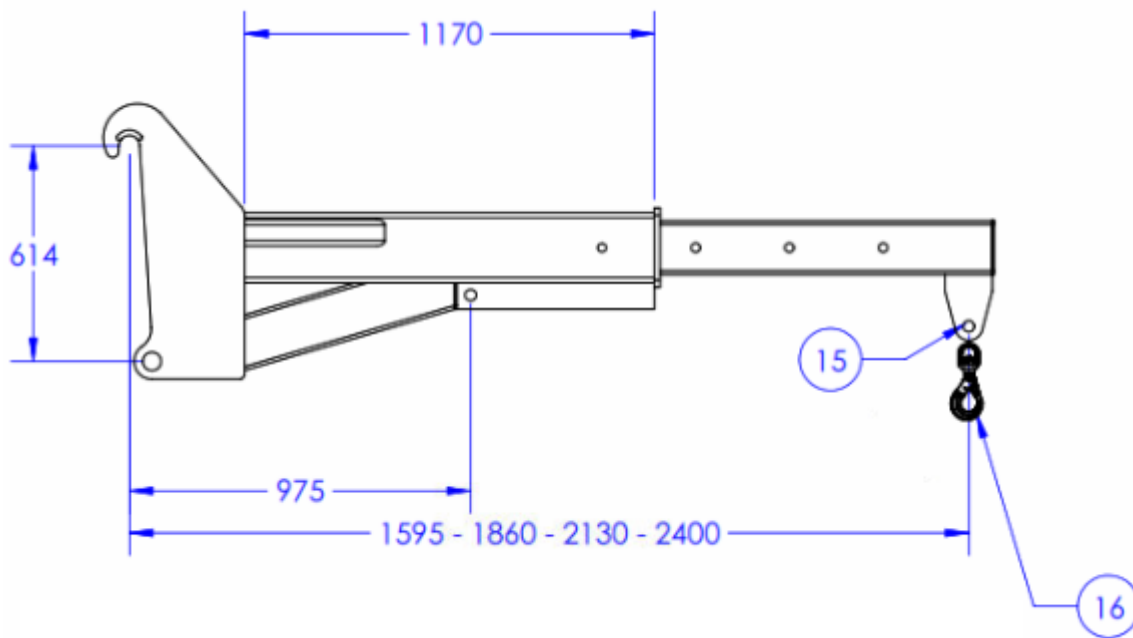
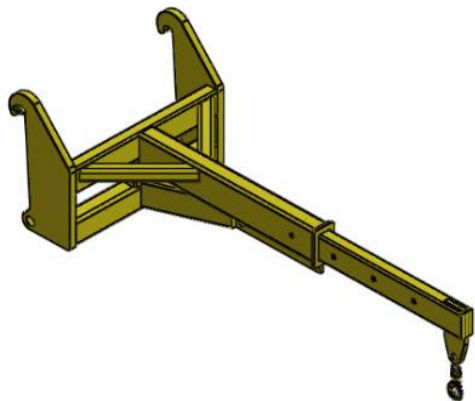
MASS: 259KGS

HCG: 500MM

VCG: 150MM

LL: 0MM

MACHINE: JCB



| REV | DATE | DESCRIPTION |
|-----|------|-------------|
|     |      |             |
|     |      |             |
|     |      |             |
|     |      |             |

DRN:  
HSRD  
SCALE:  
DNS  
CKD:

H.S. Research & Development  
Unit 2/ 3 Atlas Court, Welshpool, WA 6106  
Ph: (08) 9458 7933 Fax: (08) 9458 1351

HSRD 181

MATERIAL: DWG NO:

SCALE: DIMENSIONS IN MILLIMETERS

A4

1 2 3 4 5 6 7 8 9 10