

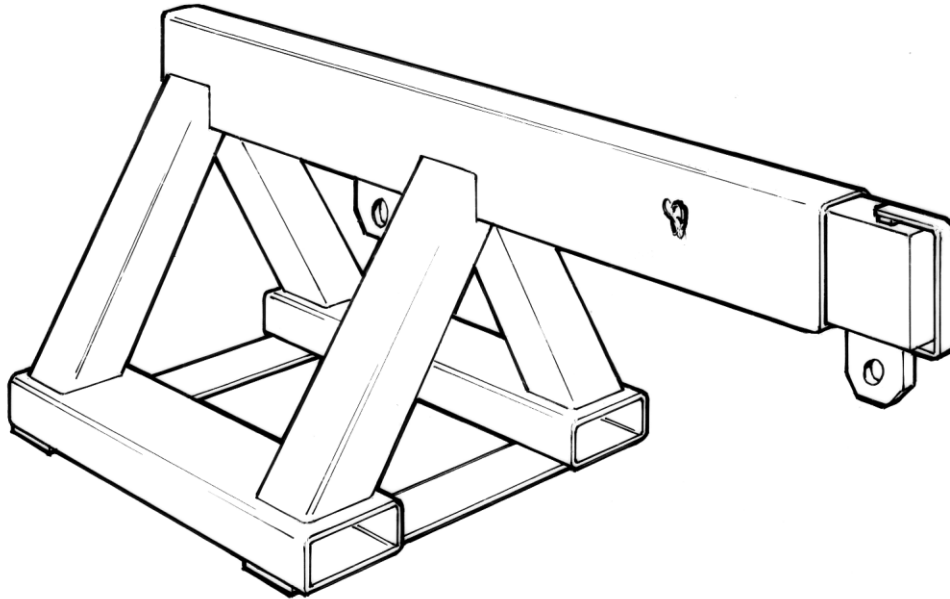


STRONG, DEPENDABLE ATTACHMENTS AND ACCESSORIES

2/3 Atlas Court
Welshpool
Western Australia 6106

Telephone: (08) 9458 7933
Facsimile: (08) 9458 1351
ABN 67 458 625 997

EXTENDABLE JIB



Model -	HSEJ-25
Capacity -	2500kgs @ 500mm 1400kgs @ 1250mm 1150kgs @ 1560mm 900kgs @ 1870mm 750kgs @ 2180mm
Weight -	103kgs
H C of G -	580mm
V C of G -	375mm
Lost Load -	0mm
Paint finish -	Golden yellow

Supplied complete with safety swivel hook.