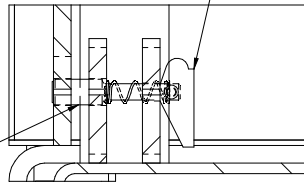
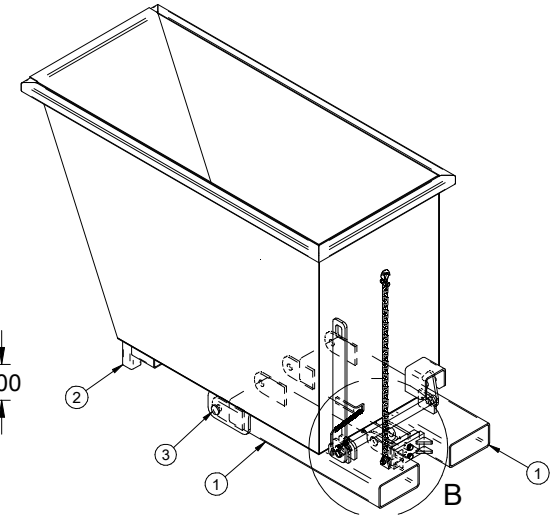
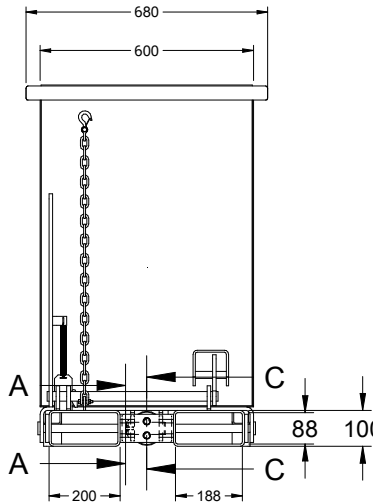
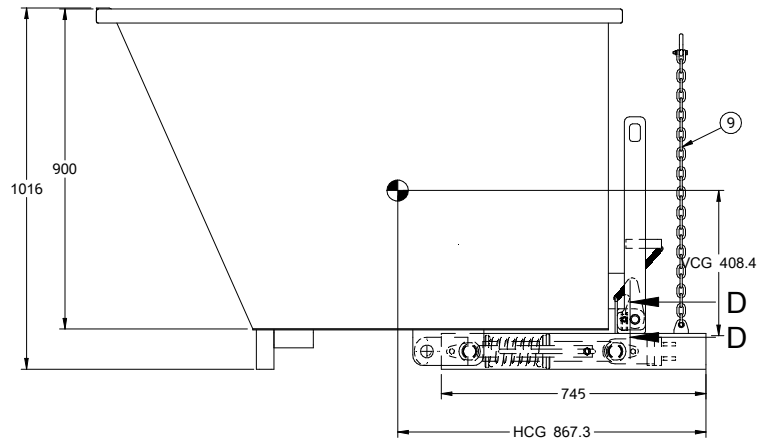


DETAIL B

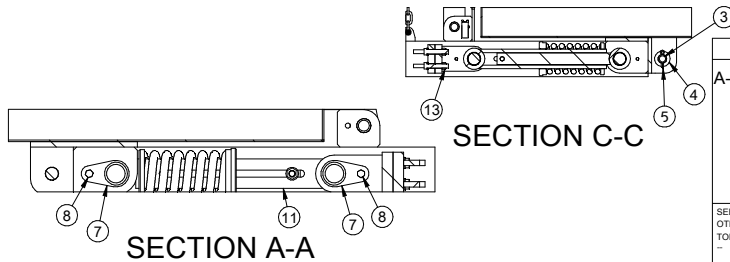
INSTALL HOOK PIN KIT AND CHECK FUNCTIONALITY



SECTION D-D



DATA PLATE INFORMATION
 MODEL: 10A-MDB-A01-X
 CAPACITY : 1000 KG
 INTERNAL SPACE : 0.65 CUBIC METER
 INTERNAL WIDTH : 594 MM
 POCKET CENTRES : 350 MM
 FORK POCKET SIZE : 188 X 88
 WEIGHT : 192. KG
 H.C. OF G : REFER TO DRAWING
 V.C. OF G : REFER TO DRAWING



SECTION C-C

SECTION A-A

o	o-o	PN	----
1	1	1883039	WELDMENT POCKET
2	1	1883037	WELDMENT BIN
3	2	1883095	PIN CLEVIS 24-270
4	2	6406226	WSHR-FLAT M24 25-44X4
5	2	1883099	SPLIT PIN
6	1	1883112	SPRING, MACHINE HOOK
7	2	1883149	PIN WLDMT 35 DIA L110-97
8	2	C-767961	SCR-HH M8X1.25 L16
9	1	1862514	0.5 TON SAFETY CHAIN ASSY
10	1	1883146	CYLINDER MOUNT
11	1	1883126	SPRING CYLINDER
12	2	6405043	SCR-HH M12X1.75 L60-30
13	2	C-205979	NUT-HXLK-N M12X1.75, 19-8-12
14	1	6034808	HOOK PIN KIT
15	2	C-681473	WSHR-LKSP M12 12.2-21.1-2.5

<input type="checkbox"/> A-RELEASED <small>SEE CASCADE ENGINEERING STANDARDS FOR DRAFTING CONVENTIONS. UNLESS OTHERWISE SPECIFIED ALL DIMENSIONS ARE IN MILLIMETERS. ALL POSITION TOLERANCES APPLY AT Ⓢ. ENVELOPE REQUIREMENT, Ⓢ, APPLIES.</small>		<input checked="" type="checkbox"/> LISTED	DCHEW DCHEW 2019-07-19 192.kg	 THIS DRAWING IS THE PROPERTY OF CASCADE AND CONTAINS CONFIDENTIAL INFORMATION. DO NOT REPRODUCE OR USE WITHOUT WRITTEN APPROVAL. BIN LOW-PROFILE 1000KG 10A-MDB-A01-X DRIVER RELEASE	1 SK-56204 R- 0
---	--	--	--	---	-----------------