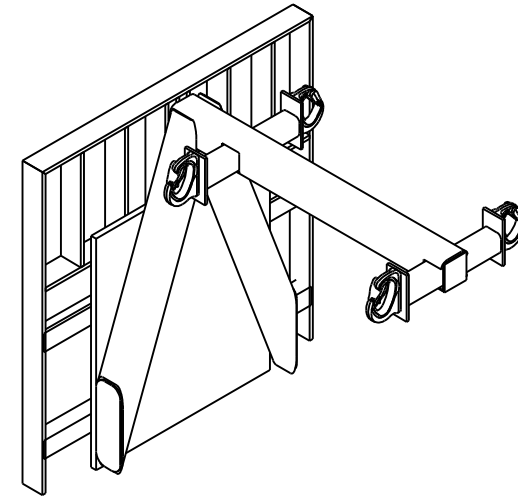


SWL **2000kgs**
MASS **250kgs**
HC of G **75mm**
VC of G **564mm**



REV	DATE	DESCRIPTION

Notes
 1. Designed as per AS 2359.1 – 1995
 2. Unit secured via locking pin and plate
 3. Painted in Yellow

DRN: H.S. Research & Development

Unit 2/ 3 Atlas Court, Welshpool, WA 6106
 Ph: (08) 9458 7933 Fax: (08) 9458 1351

HSRD 1672

DATE:

MATERIAL:

DWG NO:

CKD:



SCALE:

DIMENSIONS IN MILLIMETERS

A4