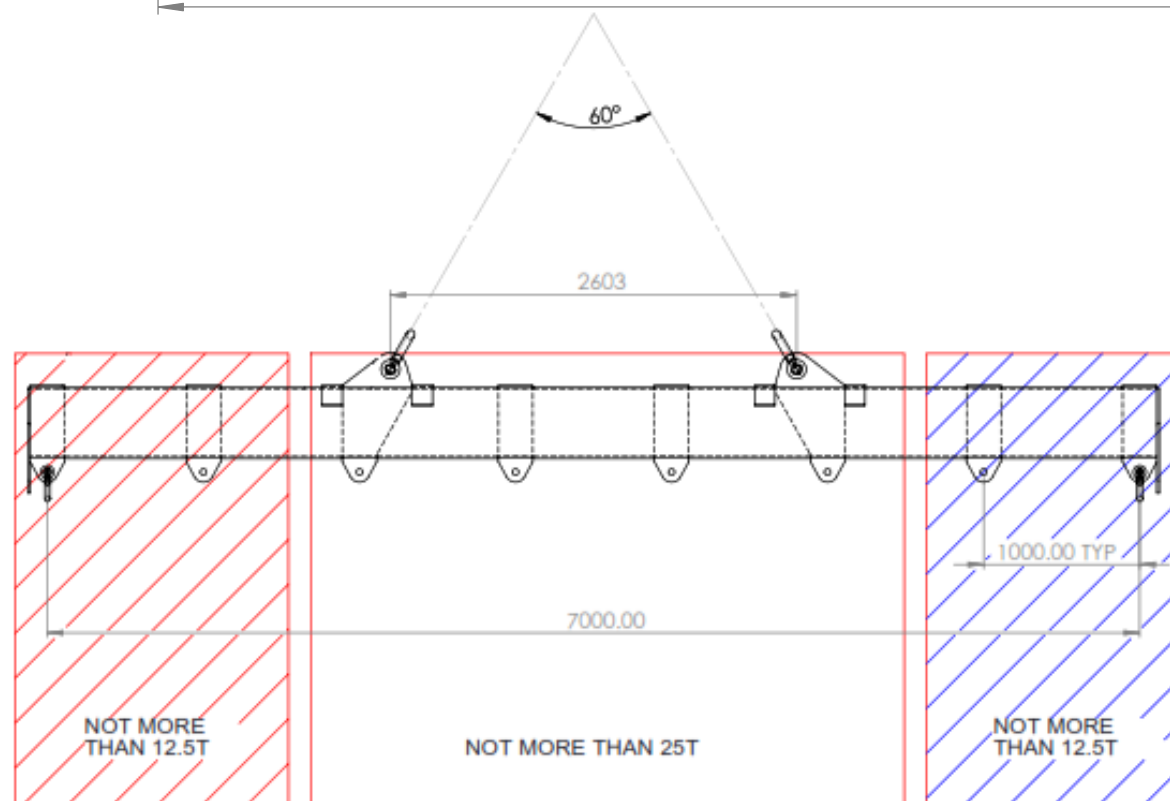
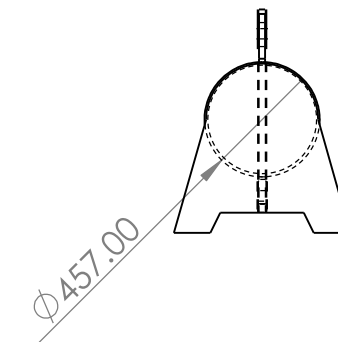
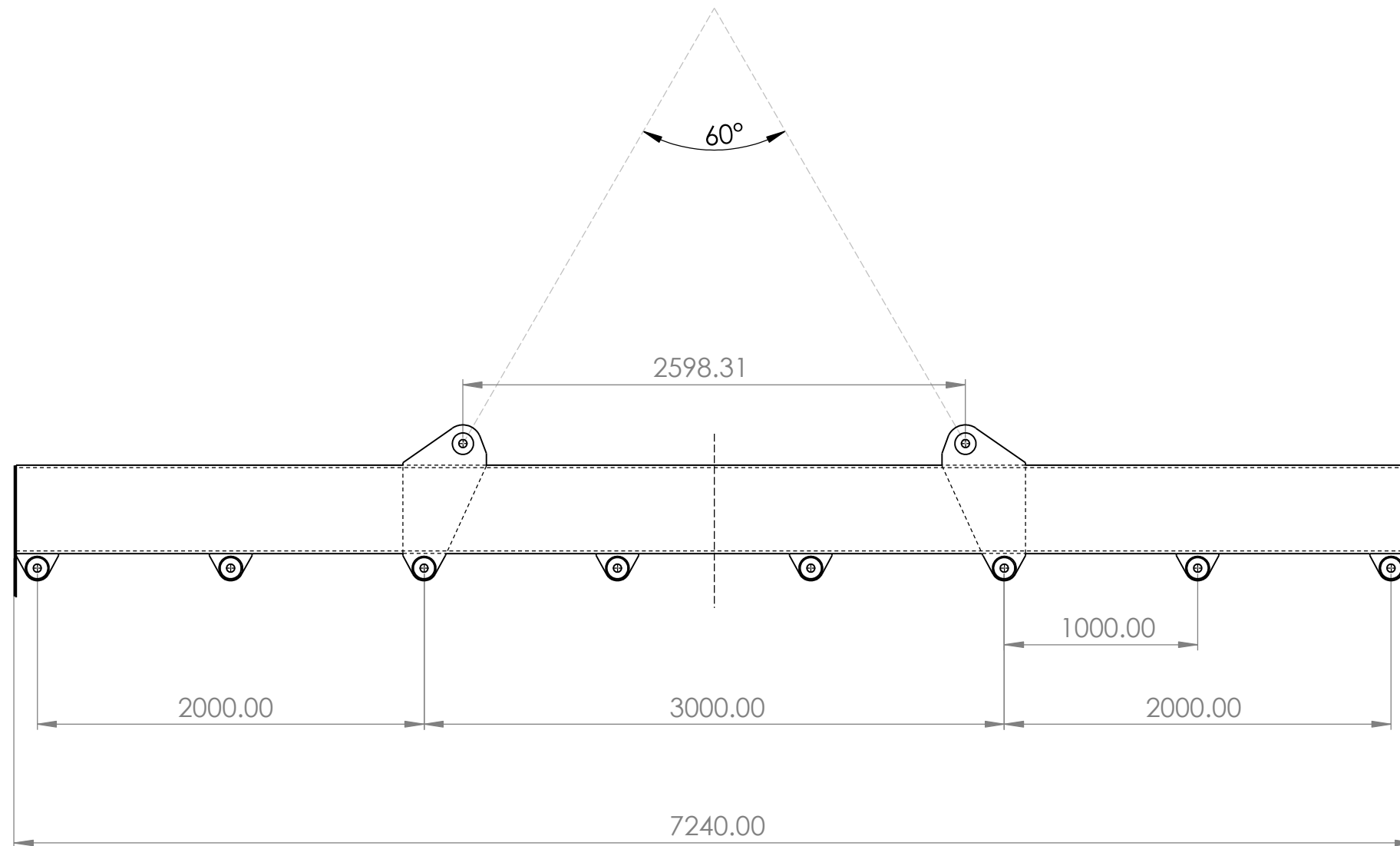



- NOTE:
1. DESIGNED TO AS 4991
 2. WLL 50T – Each bottom lug 12.5T
 3. TARE WEIGHT: 1200KG
 4. GRADE (S) 13.T SHACKLE TO BE USED ON BOTTOM
 5. GARDE (S) 35T SHACKLE TO BE USED ON TOP.



DATE 15/04/2020	 HS RESEARCH & DEVELOPMENT PTY LTD 2/3 ATLAS COURT, WELSHPOOL WA 6106 Ph: +61 (08) 9458 7933 F: +61 (08) 9458 1351			
DRAWN HF	50T LIFTING BEAM			
CHECKED	PROJECT NO. HSRD-MARS0150	DRAWING NO. HSRD 2149	SHEET NO. 1	A3
REV 0	SCALE: 1:50	DIMENSIONS IN MILLIMETRES		