

### APPLICATIONS

Cascade offers a number of fork mounted jib cranes that quickly convert a lift truck into a mobile crane to easily move non-palletised product. A variety of Jib Crane models for practically any application to increase lift truck versatility. Models include Multi-Angled, Flat, Slip-On, or Carriage- Mounted, allowing for effective slinging of loads beneath a hook.

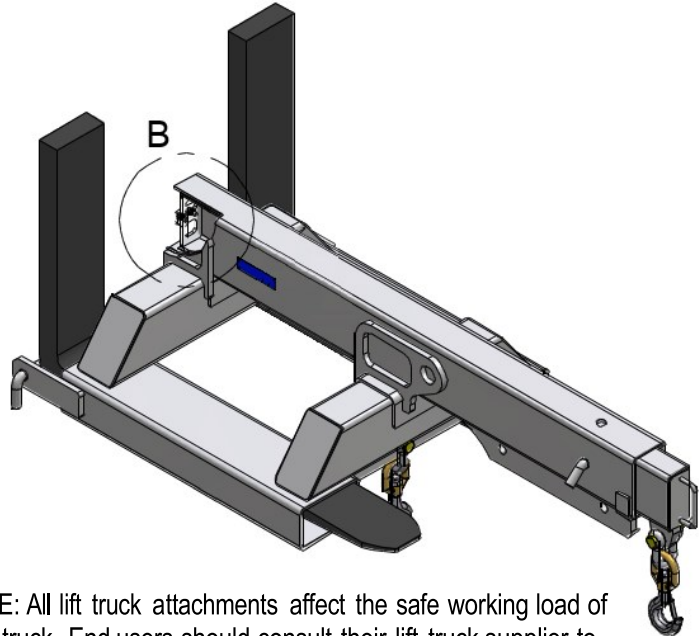
The standard finish on this attachment is zinc.

### SPECIFICATIONS

SWL	7500kg
H C of G	803mm
V C of G	137mm
Weight	437kg
Fork Pockets	200x75mm
Drawing Ref	SK-56107

### DIMENSIONS

Length—Closed	2147mm
Length— Extended	3710mm
Height	580mm
Width	1080mm



NOTE: All lift truck attachments affect the safe working load of a lift truck. End users should consult their lift truck supplier to ensure the lift truck is rated for use with these attachments.

### SAFE WORKING LOAD (SWL) PER POSITION

POSITION	1	2	3	4	5	6	7	8
SWL (kg)	7500	6410	5700	4950	3750	1950	1140	720
EXTENSION (mm)	920	1380	1805	2045	2425	2805	3185	3565

