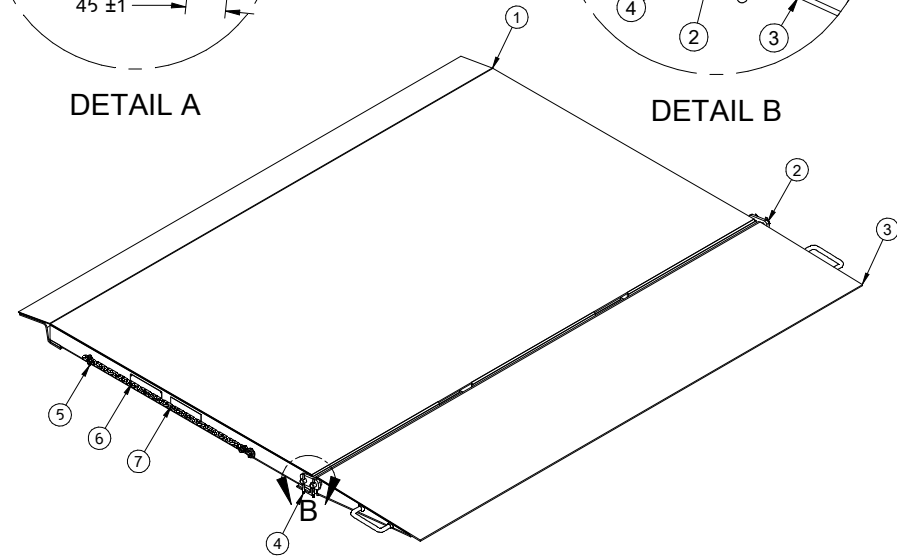
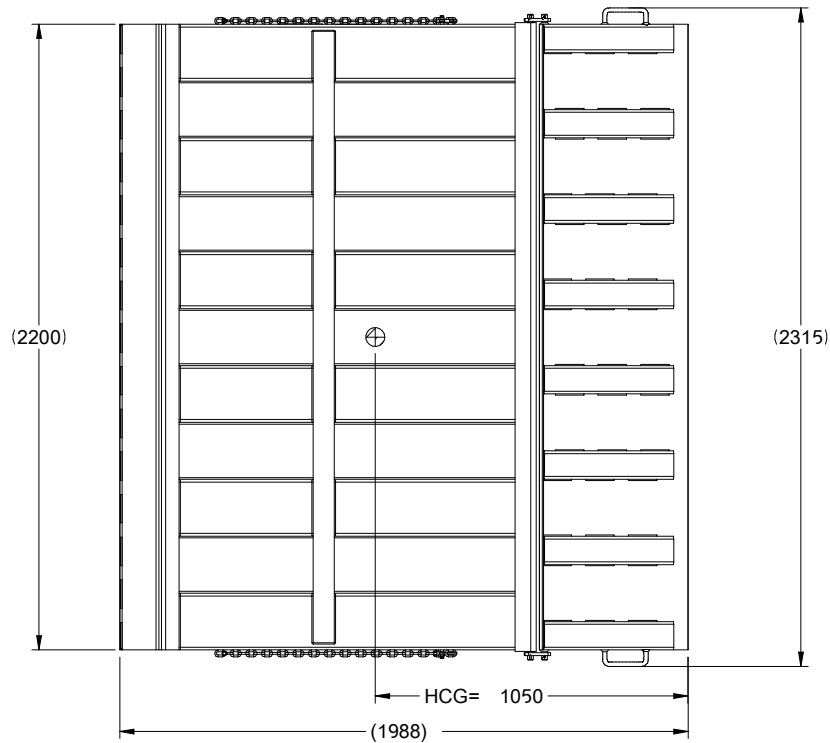


DETAIL A

DETAIL B



0	0-0	PN	----
1	1	1862508	ASSY MAIN CONTAINER RAMP
2	2	1862513	PLATE
3	1	1862509	CONTAINER RAMP FOLD SIDE
4	4	C-6550	PIN ZINC COTTER 6.3 X 63 LG
5	2	1862514	0.5 TON SAFETY CHAIN ASSY
6	1	1854228	NAMEPLATE
7	1	1854268	DECAL, STATUTORY WARNING

DATA PLATE	
MODEL NUMBER	65A-MRC-F-0100
SAFE WORK LOAD	6500 kg
WEIGHT	326 kg
LENGTH	2000 mm
WIDTH	2200 mm
POCKET SIZE	165 X 60 mm
POCKET CENTER	775 mm

(A) NOTE:
PAINT WITH CMC 99-02-95 PER CPS 80

A-ADD NOTE	LISTED	MSCHINDL	<p>THIS DRAWING IS THE PROPERTY OF CASCADE AND CONTAINS CONFIDENTIAL INFORMATION. DO NOT REPRODUCE OR USE WITHOUT WRITTEN APPROVAL.</p> <p>FOLDING RAMP</p>			
		JDAVIS				
		2020-09-01				
		326 kg				
SEE CASCADE ENGINEERING STANDARDS FOR DRAFTING CONVENTIONS. UNLESS OTHERWISE SPECIFIED ALL DIMENSIONS ARE IN MILLIMETERS. ALL POSITION TOLERANCES APPLY AT Ⓢ. ENVELOPE REQUIREMENT, Ⓢ, APPLIES.			<table border="1"> <tr> <td>1</td> <td>SK-27343</td> <td>R- 3</td> </tr> </table>	1	SK-27343	R- 3
1	SK-27343	R- 3				