

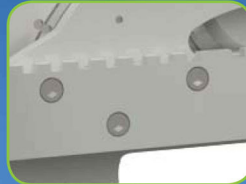
Superior Load Inverting Capabilities With 360° Revolving Motion



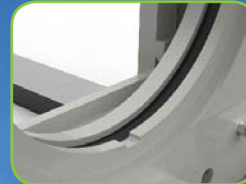
Direct drive gear box proven for superior durability



Middle fork hook provides stability and maximizes capacity



Wide range of fork positions



Sealed visibility hole gives driver excellent sight line and prevents contamination



Fork keepers ensure forks remain secure on attachment

APPLICATIONS

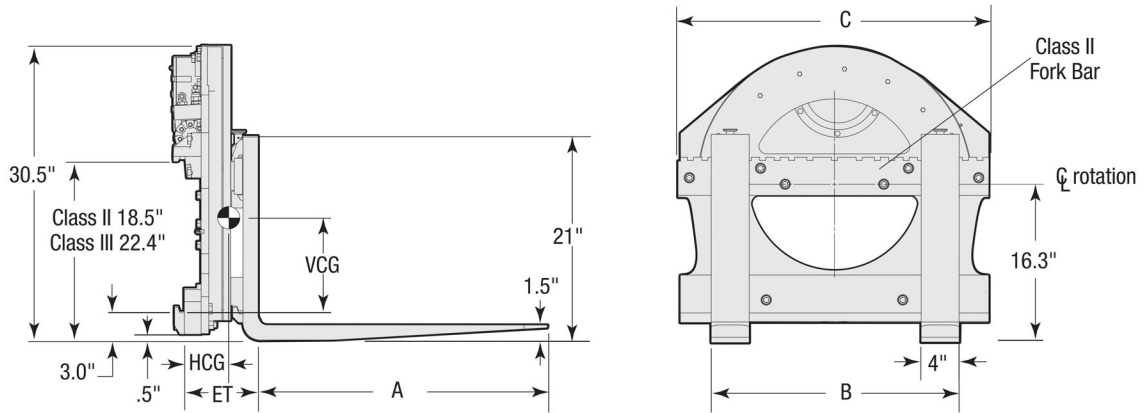
G-Series Rotators give your driver the ability to quickly dump or invert a load, and then immediately return the forks to the pick-up position in one continuous motion. Cascade rotators are widely used in food processing, automotive, chemical processing, recycling operations, casting operations, and general manufacturing – anywhere it is necessary to dump bins or tote boxes.

FEATURES

- Cascade's gear drive box and ring gear design are proven to provide superior durability.
- Large visibility window gives the driver an excellent view of the fork tips. Center seal locks out contamination.
- Good torque specifications ensure smooth, positive rotation of the load.
- Many fork bar widths are available to suit a wide variety of applications.
- Rotators may be ordered with forks or with fork bars only.
- Easy conversion of mounting hooks when changing truck sizes.

OPTIONS

- 180° Rotation Stop Group is used when stopping rotation at precisely 180° is desirable.
- Special Fork Sizes and Configurations.
- Quick-Change Lower Mounting Hooks allows the rotator to be removed or installed in a matter of minutes without tools (Quick-change hydraulic couplers available separately).
- Hydraulic Bin Retainer is custom designed to clamp on top of bin to hold bin in place while rotating. Typically used when bin does not have fork pockets.
- Mechanical Bin Retainer is designed to retain lightweight bins.
- Side Stabilizers are to help retain the load during rotation.



360° Rotation

| Catalog Order No. | Capacity @ 24" (600 mm) Load Center | | Fork Length A | Maximum OTO Fork Spread B | Mtg. Class | Mtg. Angle | Upper Hook Width OTO | Weight | | Effective Thickness ET | Horizontal Ctr. of Gravity HCG | Vertical Ctr. of Gravity VCG | Overall Width C |
|-------------------|-------------------------------------|-------|------------------|------------------------------|------------|------------|----------------------|--------|-----|---------------------------|-----------------------------------|---------------------------------|--------------------|
| | lbs | kg | | | | | | lbs | kg | | | | |
| 45G-RRB-10A | ⓪ | ⓪ | w/o Forks | 32.0" | II | 0° | 32" | 551 | 250 | 6.1" | 3.1" | 12.3" | 33.9" |
| 45G-RRB-10B | ⓪ | ⓪ | w/o Forks | 32.0" | III | 0° | 32" | 567 | 257 | 7.3" | 4.2" | 12.1" | 33.9" |
| 45G-RRB-20A | ⓪ | ⓪ | w/o Forks | 37.0" | II | 0° | 32" | 564 | 256 | 6.1" | 3.1" | 12.2" | 39.0" |
| 45G-RRB-20B | ⓪ | ⓪ | w/o Forks | 37.0" | III | 0° | 32" | 580 | 263 | 7.3" | 4.3" | 12.0" | 39.0" |
| 45G-RRB-30A | ⓪ | ⓪ | w/o Forks | 40.3" | II | 0° | 32" | 572 | 259 | 6.1" | 3.2" | 12.1" | 42.3" |
| 45G-RRB-30B | ⓪ | ⓪ | w/o Forks | 40.3" | III | 0° | 32" | 589 | 267 | 7.3" | 4.3" | 11.9" | 42.3" |
| 45G-RRB-11A | 4,500 | 2,045 | 30" | 32.0" | II | 0° | 32" | 708 | 321 | 7.6" | 5.3" | 10.3" | 33.9" |
| 45G-RRB-11B | 4,500 | 2,045 | 30" | 32.0" | III | 0° | 32" | 719 | 326 | 8.9" | 6.3" | 10.2" | 33.9" |
| 45G-RRB-21A | 4,500 | 2,045 | 30" | 37.0" | II | 0° | 32" | 719 | 326 | 7.6" | 5.2" | 10.3" | 39.0" |
| 45G-RRB-21B | 4,500 | 2,045 | 30" | 37.0" | III | 0° | 32" | 732 | 332 | 8.9" | 6.3" | 10.2" | 39.0" |
| 45G-RRB-31A | 4,500 | 2,045 | 30" | 40.3" | II | 0° | 32" | 728 | 330 | 7.6" | 5.2" | 10.3" | 42.3" |
| 45G-RRB-31B | 4,500 | 2,045 | 30" | 40.3" | III | 0° | 32" | 740 | 336 | 8.9" | 6.3" | 10.1" | 42.3" |
| 45G-RRB-12A | 4,500 | 2,045 | 36" | 32.0" | II | 0° | 32" | 730 | 331 | 7.6" | 6.0" | 9.9" | 33.9" |
| 45G-RRB-12B | 4,500 | 2,045 | 36" | 32.0" | III | 0° | 32" | 739 | 335 | 8.9" | 7.1" | 9.9" | 33.9" |
| 45G-RRB-22A | 4,500 | 2,045 | 36" | 37.0" | II | 0° | 32" | 741 | 336 | 7.6" | 5.9" | 9.9" | 39.0" |
| 45G-RRB-22B | 4,500 | 2,045 | 36" | 37.0" | III | 0° | 32" | 752 | 341 | 8.9" | 7.1" | 9.8" | 39.0" |
| 45G-RRB-32A | 4,500 | 2,045 | 36" | 40.3" | II | 0° | 32" | 747 | 339 | 7.6" | 5.9" | 9.9" | 42.3" |
| 45G-RRB-32B | 4,500 | 2,045 | 36" | 40.3" | III | 0° | 32" | 761 | 345 | 8.6" | 7.1" | 9.8" | 42.3" |
| 45G-RRB-13A | 4,500 | 2,045 | 42" | 32.0" | II | 0° | 32" | 750 | 340 | 7.6" | 6.9" | 9.6" | 33.9" |
| 45G-RRB-13B | 4,500 | 2,045 | 42" | 32.0" | III | 0° | 32" | 761 | 345 | 8.9" | 7.9" | 9.5" | 33.9" |
| 45G-RRB-23A | 4,500 | 2,045 | 42" | 37.0" | II | 0° | 32" | 763 | 346 | 7.6" | 6.8" | 9.6" | 39.0" |
| 45G-RRB-23B | 4,500 | 2,045 | 42" | 37.0" | III | 0° | 32" | 774 | 351 | 8.9" | 7.9" | 9.5" | 39.0" |
| 45G-RRB-33A | 4,500 | 2,045 | 42" | 40.3" | II | 0° | 32" | 770 | 349 | 7.6" | 6.8" | 9.6" | 42.3" |
| 45G-RRB-33B | 4,500 | 2,045 | 42" | 40.3" | III | 0° | 32" | 783 | 355 | 8.9" | 7.9" | 9.5" | 42.3" |
| 45G-RRB-14A | 4,500 | 2,045 | 48" | 32.0" | II | 0° | 32" | 772 | 350 | 7.6" | 7.9" | 9.3" | 33.9" |
| 45G-RRB-14B | 4,500 | 2,045 | 48" | 32.0" | III | 0° | 32" | 783 | 355 | 8.9" | 8.9" | 9.2" | 33.9" |
| 45G-RRB-24A | 4,500 | 2,045 | 48" | 37.0" | II | 0° | 32" | 783 | 355 | 7.6" | 7.8" | 9.3" | 39.0" |
| 45G-RRB-24B | 4,500 | 2,045 | 48" | 37.0" | III | 0° | 32" | 793 | 361 | 8.9" | 8.9" | 9.2" | 39.0" |
| 45G-RRB-34A | 4,500 | 2,045 | 48" | 40.3" | II | 0° | 32" | 791 | 359 | 7.6" | 7.8" | 9.3" | 42.3" |
| 45G-RRB-34B | 4,500 | 2,045 | 48" | 40.3" | III | 0° | 32" | 805 | 365 | 8.9" | 8.9" | 9.2" | 42.3" |

ROTATOR SPECIFICATIONS

| Model | RPM | Flow gpm | Torque in/lbs. @ 2,300 psi |
|---------|-----|----------|----------------------------|
| 45G/55G | 7.0 | 15 | 63,000 |
| 65G | 5.2 | 15 | 80,000 |

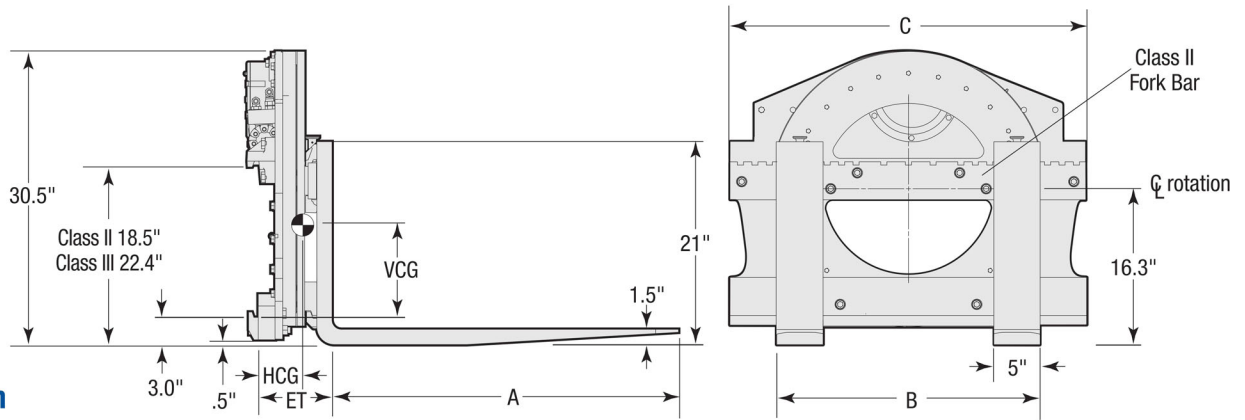
- ▶ Optional motors providing faster rotation available. Reduced torque will result.
- ▶ Optional motors providing more torque available. Reduced speed will result.

HYDRAULIC FLOW & PRESSURE

| Minimum Pressure psi | Maximum Pressure psi/bar | Number of Functions |
|----------------------|--------------------------|---------------------|
| 500 | 2,300/160 | 1 |

HYDRAULIC FUNCTIONS

| Hydraulic Functions | Truck Auxiliary Valves Used |
|---------------------|-----------------------------|
| 1 | 1 |


360° Rotation

| Catalog Order No. | Capacity @ 24" (600 mm) Load Center | | Fork Length A | Maximum OTO Fork Spread B | Mtg. Class | Mtg. Angle | Upper Hook Width OTO | Weight | | Effective Thickness ET | Horizontal Ctr. of Gravity HCG | Vertical Ctr. of Gravity VCG | Overall Width C |
|-------------------|-------------------------------------|-------|------------------|------------------------------|------------|------------|----------------------|--------|-----|---------------------------|-----------------------------------|---------------------------------|--------------------|
| | lbs | kg | | | | | | lbs | kg | | | | |
| 55G-RRB-10A | ① | ① | w/o Forks | 37" | II | 0° | 32" | 572 | 259 | 6.1" | 3.1" | 12.1" | 39.0" |
| 55G-RRB-10B | ① | ① | w/o Forks | 37" | III | 0° | 32" | 595 | 270 | 7.3" | 4.2" | 12.1" | 39.0" |
| 55G-RRB-20A | ① | ① | w/o Forks | 42" | II | 0° | 32" | 584 | 265 | 6.1" | 3.2" | 12.0" | 43.9" |
| 55G-RRB-20B | ① | ① | w/o Forks | 42" | III | 0° | 32" | 607 | 265 | 7.3" | 4.2" | 12.0" | 43.9" |
| 55G-RRB-30A | ① | ① | w/o Forks | 45" | II | 0° | 32" | 624 | 283 | 6.3" | 3.3" | 12.0" | 46.9" |
| 55G-RRB-30B | ① | ① | w/o Forks | 45" | III | 0° | 32" | 648 | 294 | 7.5" | 4.4" | 11.9" | 46.9" |
| 55G-RRB-12A | 5,000 | 2,270 | 36" | 37" | II | 0° | 32" | 788 | 357 | 7.6" | 6.4" | 9.6" | 39.0" |
| 55G-RRB-12B | 5,000 | 2,270 | 36" | 37" | III | 0° | 32" | 811 | 368 | 8.8" | 7.3" | 9.6" | 39.0" |
| 55G-RRB-22A | 5,000 | 2,270 | 36" | 42" | II | 0° | 32" | 800 | 363 | 7.6" | 6.3" | 9.5" | 43.9" |
| 55G-RRB-22B | 5,000 | 2,270 | 36" | 42" | III | 0° | 32" | 823 | 373 | 8.8" | 7.3" | 9.6" | 43.9" |
| 55G-RRB-32A | 5,000 | 2,270 | 36" | 45" | II | 0° | 32" | 841 | 381 | 7.8" | 6.3" | 9.6" | 46.9" |
| 55G-RRB-32B | 5,000 | 2,270 | 36" | 45" | III | 0° | 32" | 865 | 392 | 9.0" | 7.3" | 9.6" | 46.9" |
| 55G-RRB-13A | 5,000 | 2,270 | 42" | 37" | II | 0° | 32" | 814 | 369 | 7.6" | 7.3" | 9.2" | 39.0" |
| 55G-RRB-13B | 5,000 | 2,270 | 42" | 37" | III | 0° | 32" | 837 | 380 | 8.8" | 8.3" | 9.3" | 39.0" |
| 55G-RRB-23A | 5,000 | 2,270 | 42" | 42" | II | 0° | 32" | 826 | 375 | 7.6" | 7.3" | 9.2" | 43.9" |
| 55G-RRB-23B | 5,000 | 2,270 | 42" | 42" | III | 0° | 32" | 849 | 385 | 8.8" | 8.3" | 9.2" | 43.9" |
| 55G-RRB-33A | 5,000 | 2,270 | 42" | 45" | II | 0° | 32" | 867 | 393 | 7.8" | 7.3" | 9.3" | 46.9" |
| 55G-RRB-33B | 5,000 | 2,270 | 42" | 45" | III | 0° | 32" | 891 | 404 | 9.0" | 8.3" | 9.3" | 46.9" |
| 55G-RRB-14A | 5,000 | 2,270 | 48" | 37" | II | 0° | 32" | 839 | 381 | 7.6" | 8.4" | 8.9" | 39.0" |
| 55G-RRB-14B | 5,000 | 2,270 | 48" | 37" | III | 0° | 32" | 863 | 391 | 8.8" | 9.4" | 8.9" | 39.0" |
| 55G-RRB-24A | 5,000 | 2,270 | 48" | 42" | II | 0° | 32" | 851 | 386 | 7.6" | 8.4" | 8.8" | 43.9" |
| 55G-RRB-24B | 5,000 | 2,270 | 48" | 42" | III | 0° | 32" | 875 | 397 | 8.8" | 9.3" | 8.9" | 43.9" |
| 55G-RRB-34A | 5,000 | 2,270 | 48" | 45" | II | 0° | 32" | 893 | 405 | 7.8" | 8.3" | 8.9" | 46.9" |
| 55G-RRB-34B | 5,000 | 2,270 | 48" | 45" | III | 0° | 32" | 916 | 415 | 9.0" | 9.3" | 9.0" | 46.9" |
| 55G-RRB-15A | 5,000 | 2,270 | 54" | 37" | II | 0° | 32" | 865 | 392 | 7.6" | 9.7" | 8.5" | 39.0" |
| 55G-RRB-15B | 5,000 | 2,270 | 54" | 37" | III | 0° | 32" | 889 | 403 | 8.8" | 10.6" | 8.6" | 39.0" |
| 55G-RRB-25A | 5,000 | 2,270 | 54" | 42" | II | 0° | 32" | 877 | 398 | 7.6" | 6.9" | 8.5" | 43.9" |
| 55G-RRB-25B | 5,000 | 2,270 | 54" | 42" | III | 0° | 32" | 901 | 409 | 8.8" | 10.5" | 8.6" | 43.9" |
| 55G-RRB-35A | 5,000 | 2,270 | 54" | 45" | II | 0° | 32" | 919 | 417 | 7.8" | 9.5" | 8.6" | 46.9" |
| 55G-RRB-35B | 5,000 | 2,270 | 54" | 45" | III | 0° | 32" | 942 | 427 | 9.0" | 10.4" | 8.7" | 46.9" |

① Rotator capacity limited by fork size, see Capacity Chart.

ROTATOR CAPACITY PER PAIR OF FORKS AT 24" (600 MM) CHART

Capacity at 24" Load Center (600 mm) – Fork Size (W x T)

| Model | Class | 4 x 1.25 in. | 100 x 35 mm | 4 x 1.5 in. | 100 x 40 mm | 5 x 1.5 in. | 122 x 40 mm | 5 x 1.75 in. | 125 x 45 mm | 5 x 2 in. | 122 x 50 mm |
|-------|-------|--------------|-------------|-------------|-------------|-------------|-------------|--------------|-------------|-----------|-------------|
| 45G | II | 3,145 lbs | 1,427 kg | 4,500 lbs | 2,042 kg | 4,500 lbs | 2,042 kg | 4,500 lbs | 2,042 kg | — | — |
| 55G | II | 3,145 lbs | 1,427 kg | 4,675 lbs | 2,121 kg | 5,100 lbs | 2,314 kg | 5,500 lbs | 2,495 kg | — | — |
| 65G | III | — | — | — | — | 5,100 lbs | 2,314 kg | 6,500 lbs | 2,949 kg | 6,500 lbs | 2,949 kg |