

1 2 3 4 5 6 7 8 9 10

A

B

C

D

E

F

G

H

I

A

B

C

D

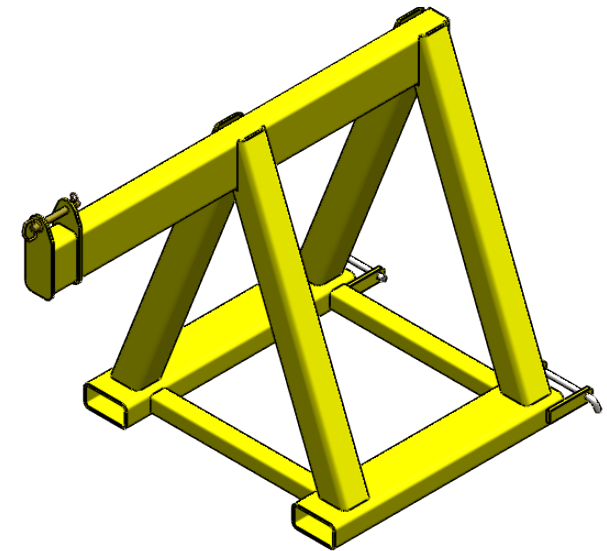
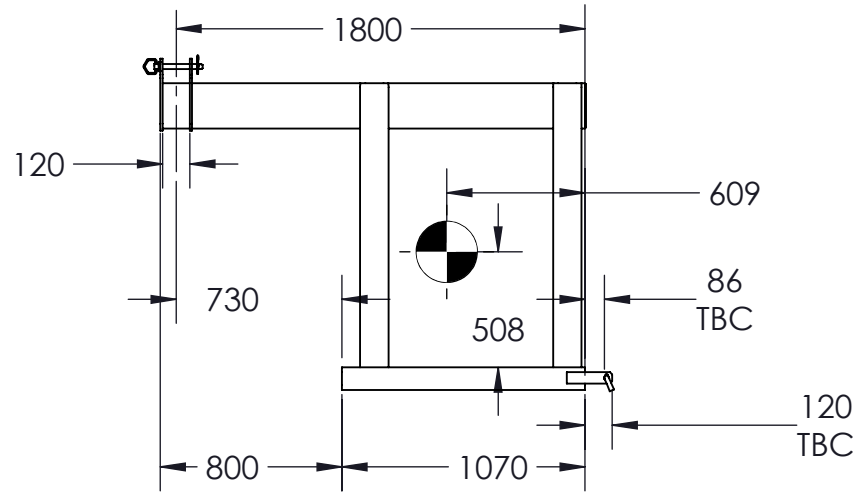
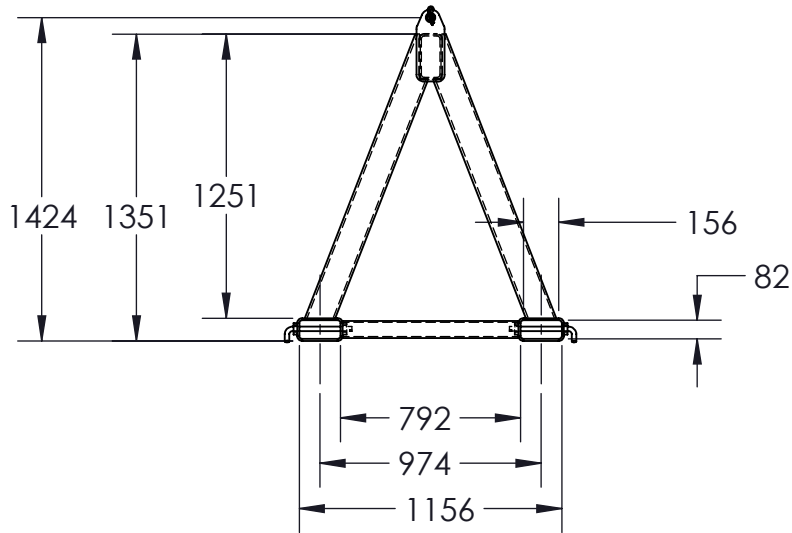
E

F

G

H

I



NOTES:

1. Designed as per AS 2359.1 - 1995
2. WLL 1200 Kg @ 1800mm
3. Pocket size: 156x82
4. Painted in Yellow
5. Unit will be secured to the forklift via locking pin and plate
6. Mass 335Kg; HCG: 609mm; VCG: 508mm
7. Operational issues to be checked by forklift provider
8. Available space for locking pin and plate to be confirmed

REV	DATE	DESCRIPTION

DRN: HF	H.S. Research & Development	General Layout
DATE: 27/05/16	Unit 2/ 3 Atlas Court, Welshpool, WA 6106 Ph: (08) 9458 7933 Fax: (08) 9458 1351	
CKD: -	MATERIAL: -	DWG NO: HSRD 1402 - 000
SCALE:		DIMENSIONS IN MILLIMETERS

A4

1 2 3 4 5 6 7 8 9 10