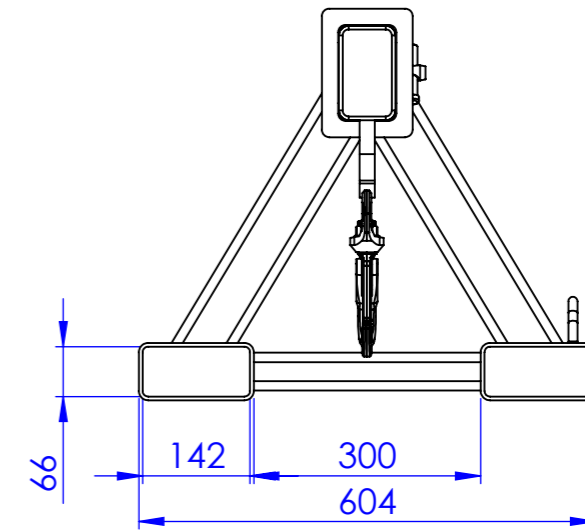
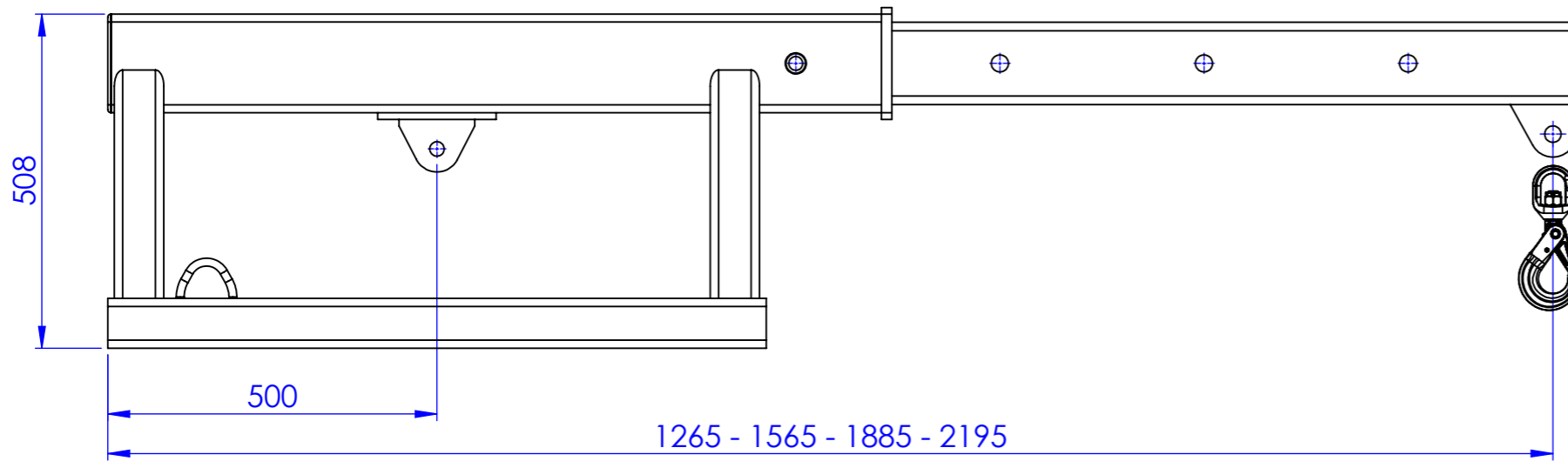
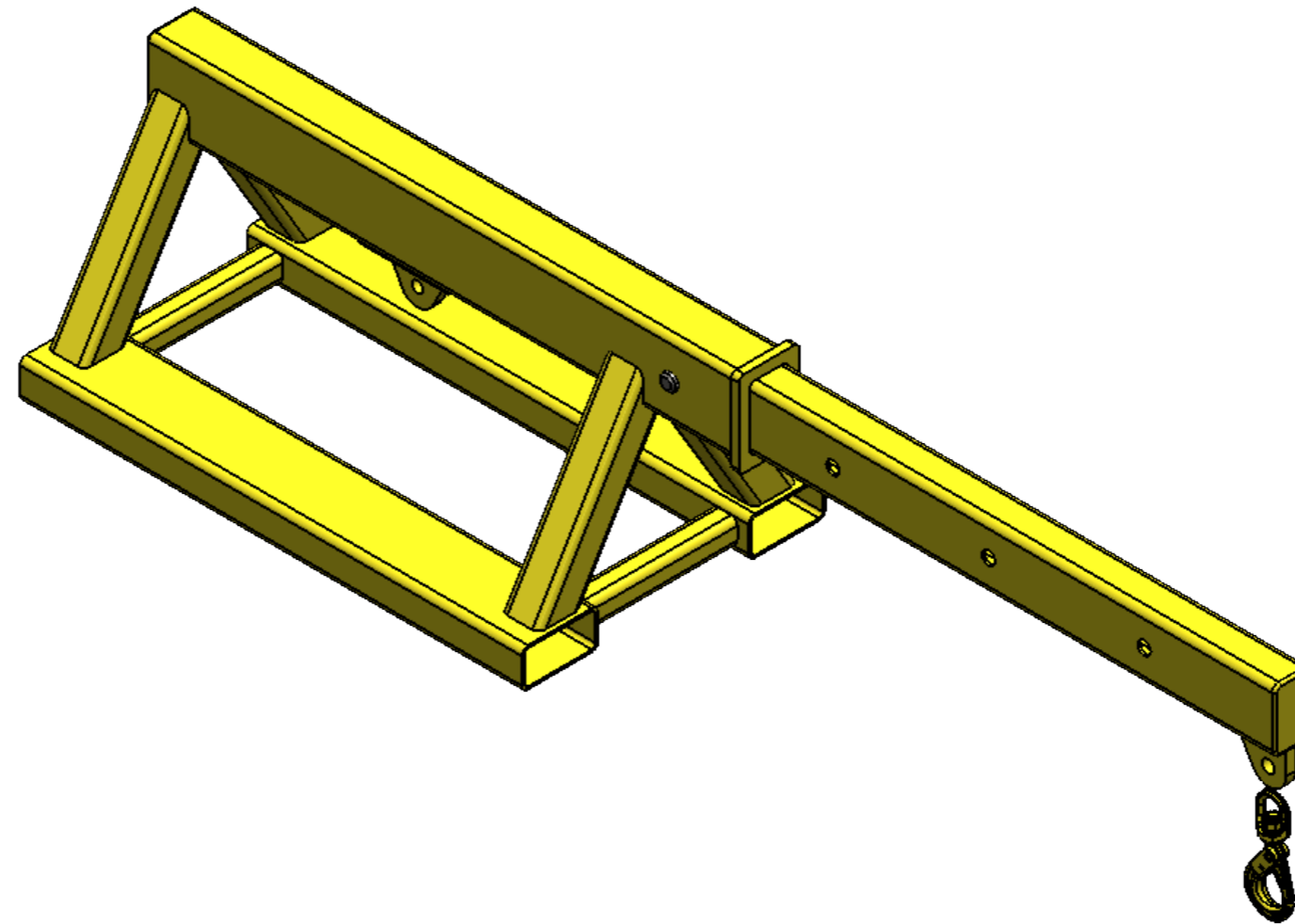


POSITION	CAPACITY	HCG
500mm	2500Kg	569mm
1265mm	2000Kg	569mm
1565mm	1400Kg	650mm
1885mm	830Kg	730mm
2195mm	580Kg	812mm



NOT SHOWN:  
 - HAMMER LOCK  
 - CHAIN  
 - GRAB HOOK

WEIGHT: 110Kg  
 VCG: 200mm

REV	DATE	DESCRIPTION

DRN: CM	H.S. Research & Development Unit 2/ 3 Atlas Court, Welshpool, WA 6106 Ph: (08) 9458 7933 Fax: (08) 9458 1351	HSEJ-25 2.5T EXTENDABLE JIB
DATE: 17/8/11	MATERIAL:	DWG NO: HSRD120C
CKD:	SCALE:NTS	DIMENSIONS IN MILLIMETERS

**A3**