

### APPLICATIONS

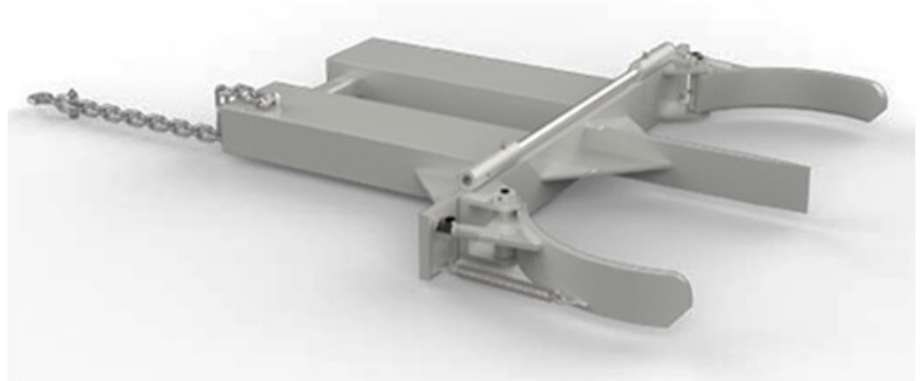
Easily move one or two standard steel 205 litre drums. Drum clamps slip onto the forks with ease and ensure that drums are handled ergonomically and hassle-free from the drivers seat, improving stability during braking and cornering.

### FEATURES & BENEFITS

- Pocket size to suit most fork section sizes.
- Retaining chains and shackles included.
- Adjustable pivot arm to suit various drum sizes and secure clamping.
- Supplied with rating plate and user manual

### SPECIFICATIONS

SWL	1000kg
Fork Pockets	150x50mm
Weight:	120kg
H C of G	624mm
V C of G	45mm
Overall Length	1227mm
Overall Width	1225mm



*Note All lift truck attachments affect the safe working load of a lift truck. Users should consult with their lift truck supplier to ensure the lift truck is rated for use with these attachments.*

