

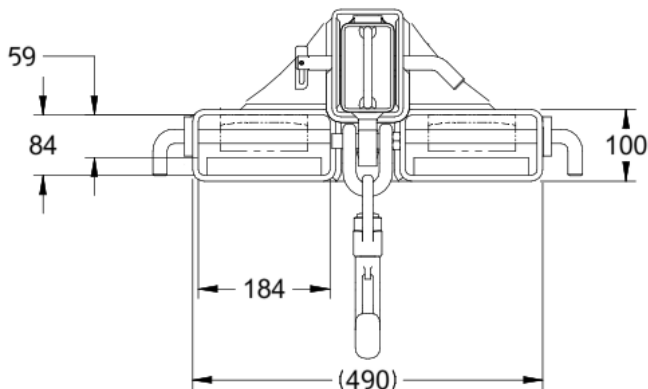
## APPLICATIONS

Cascade offers a number of fork mounted jib cranes that quickly convert a lift truck into a mobile crane to easily move non-palletised product. A variety of Jib Crane models for practically any application to increase lift truck versatility. Models include Multi-Angled, Flat, Slip-On, or Carriage- Mounted, allowing for effective slinging of loads beneath a hook. The standard finish on this attachment is zinc.

## SPECIFICATIONS

SWL	4500kg Max
H C of G	499mm
V C of G	7mm
Weight	116kg
Fork Pockets	160x50mm
Pocket Centres	290mm
Drawing Ref	SK-27884

*Note: All lift truck attachments affect the safe working load of a lift truck. End users should consult their lift truck supplier to ensure the lift truck is rated for use with these attachments. In the case of a slung load when lifting a jib attachment, the net lifting capacity should be 0.8 times the rating of the lift truck to allow for the swinging load. Please consult your local lift truck*



Position	SWL	Load Cente
1	4500kg	700mm
2	2900kg	1165mm
3	1300kg	1545mm
4	750kg	1925mm

