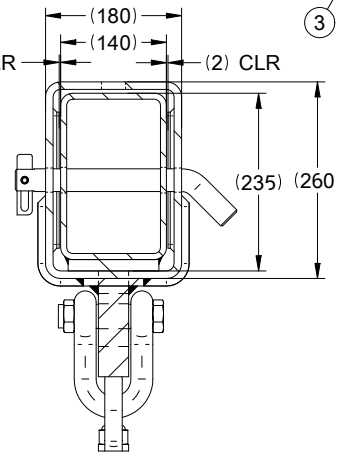
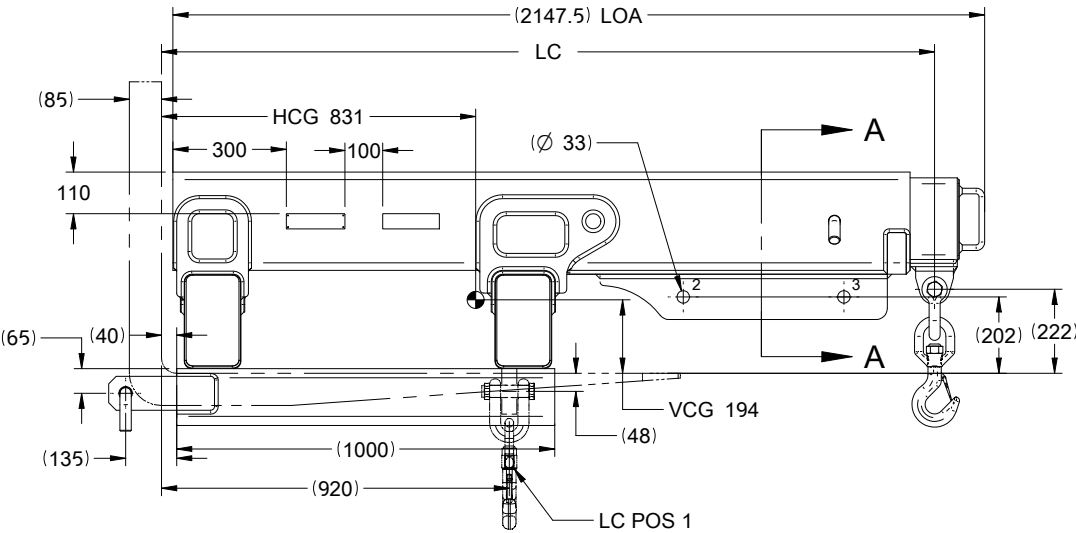
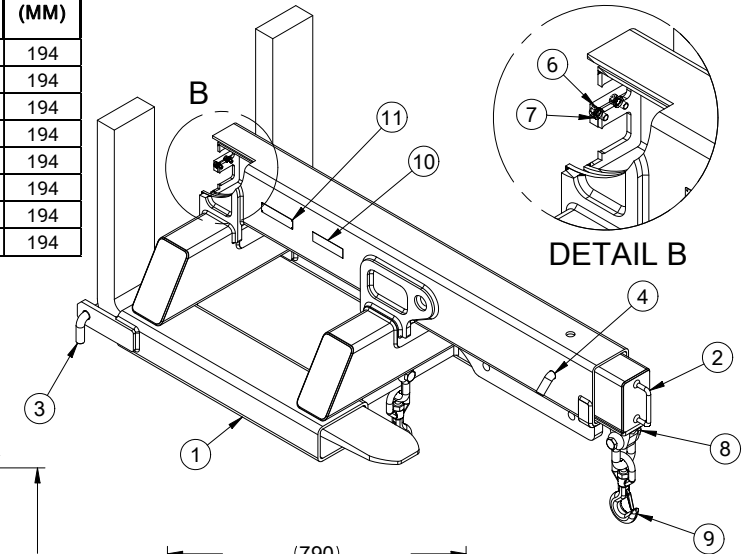
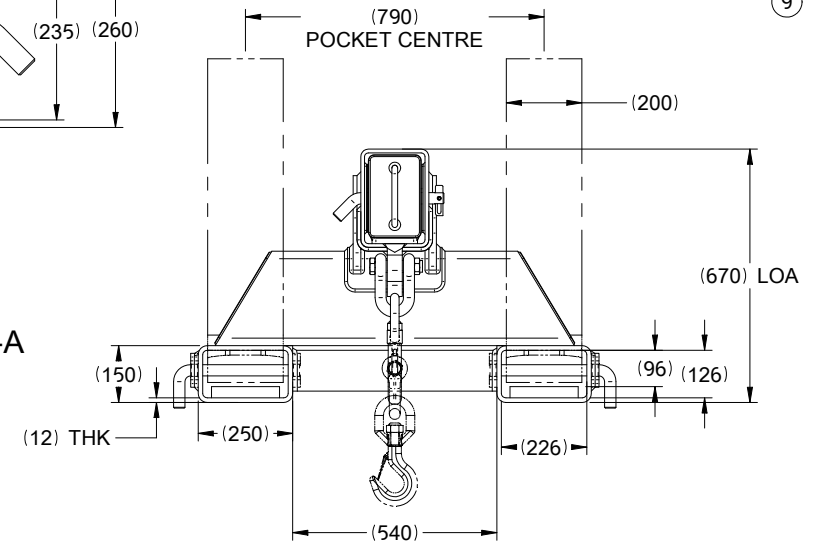


LC POSITION	LOAD CENTRE (LC) (MM)	CAPACIT Y (KG)	HCG (MM)	VCG (MM)
1	920	9500	830	194
2	1380	8550	830	194
3	1805	7600	830	194
4	2045	6600	830	194
5	2425	5000	912	194
6	2805	2600	993	194
7	3185	1520	1074	194
8	3565	960	1155	194



SECTION A-A



o	o-o	PN	-----
1	1	1882654	MAIN WELDMENT
2	1	1882667	WELDMENT INNER BOOM
3	2	1874602	RETAINING PIN 30 DIA
4	1	1882610	LOCK PIN 30 DIA
5	1	1882673	BAR STOP
6	2	C-768825	SCR-SH M12X1.75 L20
7	2	C-681473	WSHR-LKSP M12 12.2-21.1-2.5
8	1	1882678	D SHACKLE 9.5 TONNE
9	1	1882680	SWIVEL HOOK WITH LATCH 11T
10	1	1882690	SWL DATA PLATE
11	1	1854228	NAMEPLATE
12	1	1854268	DECAL, STATUTORY WARNING

DATA PLATE INFORMATION
 MODEL: 95A-JBE-F-0100
 CAPACITY : 9500 KG AT 920 MM
 ALTERNATE CAPACITY : REFER LOAD CHART
 FORK POCKET SIZE : 226 X 96 MM (A)
 WEIGHT : 592. KG
 H.C. OF G : REFER TO DRAWING
 V.C. OF G : REFER TO DRAWING

↶	☒	📄
A-WAS 230X130	LISTED	↘ DCHEW ↙ DCHEW ↕
		2021-06-25 592.kg
SEE CASCADE ENGINEERING STANDARDS FOR DRAFTING CONVENTIONS, UNLESS OTHERWISE SPECIFIED ALL DIMENSIONS ARE IN MILLIMETERS. ALL POSITION TOLERANCES APPLY AT Ⓞ. ENVELOPE REQUIREMENT, Ⓢ, APPLIES.		
		🎯

METRIC

THIS DRAWING IS THE PROPERTY OF CASCADE AND CONTAINS CONFIDENTIAL INFORMATION. DO NOT REPRODUCE OR USE WITHOUT WRITTEN APPROVAL.

FIXED JIB, LONG 9.5T

95A-JBE-F-0100

9.5 TONNE

📄	1	SK-56118	R- 1
---	---	----------	------