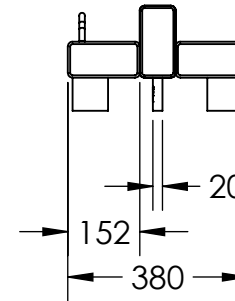
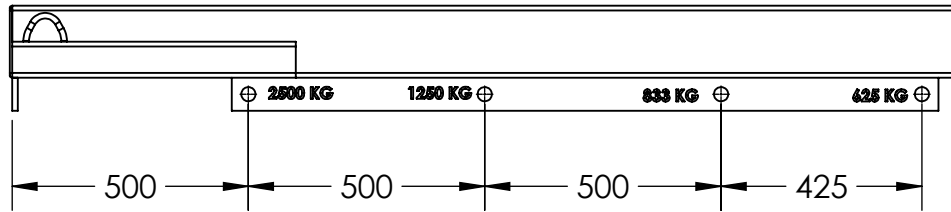
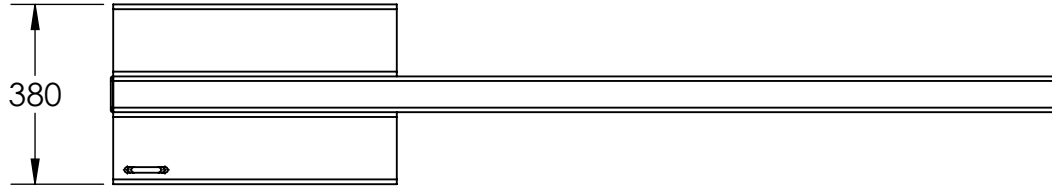
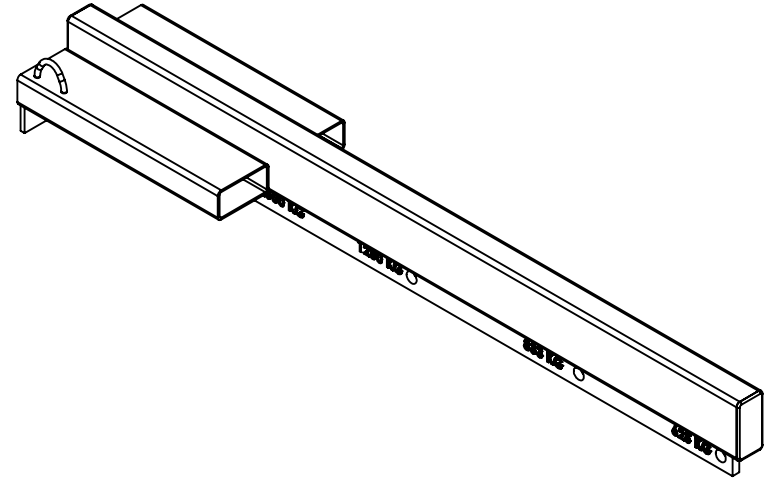


NOTES:

SUPPLY WITH 2.5T SHACKLE & SAFETY SWIVEL HOOK
 SUPPLY WITH HAMMER LOCK, CHAIN & GRAB HOOK
 MARK WLL AT EACH POINT



WEIGHT: 72Kg
 HCG: 850mm

POS	CAPACITY
500	2500 KG
1000	1250KG
1500	833KG
1925	625G

REV	DATE	DESCRIPTION

DRN: CM
 DATE: 4/8/11
 CKD:

H.S. Research & Development
 Unit 2/ 3 Atlas Court, Welshpool, WA 6106
 Ph: (08) 9458 7933 Fax: (08) 9458 1351

HSFJ-25
 2.5T FIXED JIB

MATERIAL: DWG NO: HSRD223

SCALE: 1:16 DIMENSIONS IN MILLIMETERS **A4**