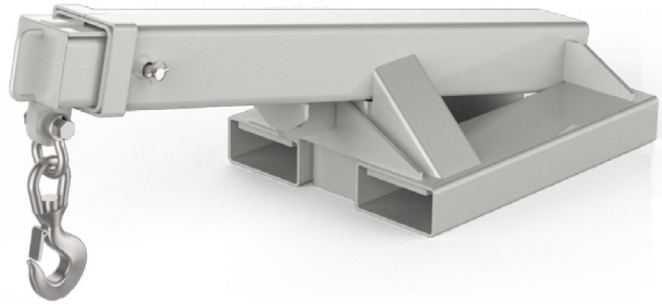


APPLICATIONS

Cascade offers a number of fork mounted jib cranes that quickly convert a lift truck into a mobile crane to easily move non-palletised product. A variety of Jib Crane models for practically any application to increase lift truck versatility. Models include Multi-Angled, Flat, Slip-On, or Carriage- Mounted, allowing for effective slinging of loads beneath a hook. Unit secured to the forklift by safety locking pins or chain. Supplied with rating plate and rated safety swivel hook. The standard finish on this attachment is zinc.

SPECIFICATIONS

SWL	4700kg
Load Centre	790mm
H C of G	600mm
V C of G	120mm
Weight	140kg
Drawing Ref	SK-27982



DIMENSIONS

Fork Pockets	185x65mm
Pocket Centres	350mm
Maximum Reach	2365mm
Overall Length	1500mm closed
Width	600mm

Note: All lift truck attachments affect the safe working load of a lift truck. End users should consult their lift truck supplier to ensure the lift truck is rated for use with these attachments. In the case of a slung load when lifting a jib attachment, the net lifting capacity should be 0.8 times the rating of the lift truck to allow for the swinging load. Please consult your local lift truck

SAFE WORKING LOAD (SWL) PER POSITION				
POSITION	1	2	3	4
SWL (kg)	4700	1200	700	500
EXTENSION (mm)	790	1390	1880	2365

