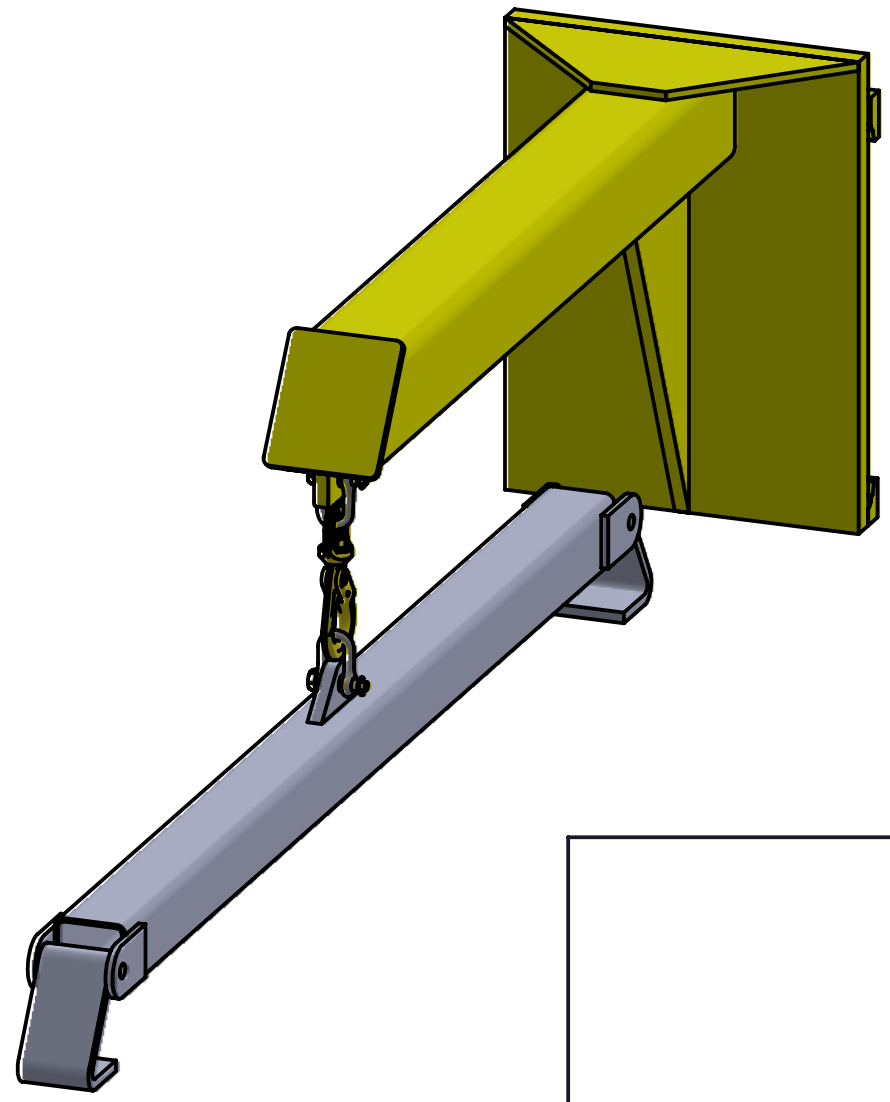




- SPECIFICATIONS**
1. WEIGHT : 180KG
 2. HCG: 420MM
 3. VCG: 275.0MM
 4. SWL: 2200KG
 5. MOUNTING CLASS: CLASS 3



- DESIGN NOTES**
1. MAST TO BE FULLY TILTED BACKWARDS IN OPERATION
 2. TRUCK TO BE RATED FOR THIS APPLICATION BY THE TRUCK MANUFACTURER AS PER AS 2359.2
 3. DEVICE TO BE USED WITH DUTY OF CARE
 4. MOUNTED TO CARRIAGE QUICK RELEASE LOWER HOOKS
 5. LIFTING BEAM ATTACHED USING SWIVEL HOOK

DATE 06/10/2020		 HS RESEARCH & DEVELOPMENT PTY LTD 2/3 ATLAS COURT, WELSHPOOL WA 6106 Ph: +61 (08) 9458 7933 F: +61 (08) 9458 1351	
DRAWN RJ		HSCMLJ - CARRIAGE MOUNT LIFTING JIB	
CHECKED		PROJECT NO. HSRD 2195	DRAWING NO. HSRD 2195 001
		SCALE:	DIMENSIONS IN MILLIMETRES

A3