

APPLICATIONS

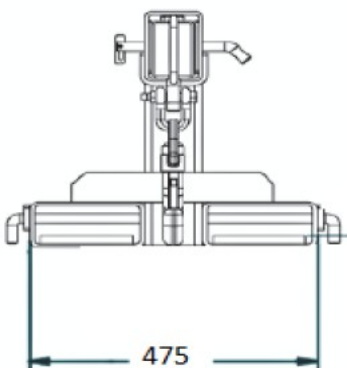
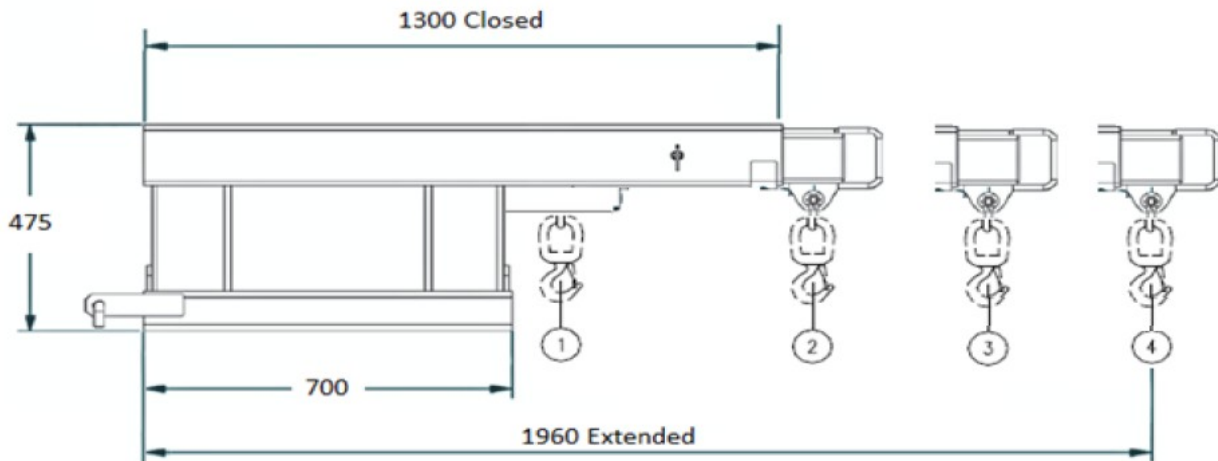
Cascade offers a number of fork mounted jib cranes that quickly convert a lift truck into a mobile crane to easily move non-palletised product. A variety of Jib Crane models for practically any application to increase lift truck versatility. Models include Multi-Angled, Flat, Slip-On, or Carriage- Mounted, allowing for effective slinging of loads beneath a hook. Unit secured to the forklift by safety locking pins or chain. Supplied with rating plate and rated safety swivel hook. The standard finish on this attachment is zinc.

SPECIFICATIONS

SWL	2500kg
H C of G	630mm
V C of G	135mm
Weight	100kg
Fork Pockets	185x65mm
Pocket Centres	275mm



Note: All lift truck attachments affect the safe working load of a lift truck. End users should consult their lift truck supplier to ensure the lift truck is rated for use with these attachments. In the case of a slung load when lifting a jib attachment, the net lifting capacity should be 0.8 times the rating of the lift truck to allow for the swinging load. Please consult your local lift truck



SAFE WORKING LOADS (SWL) PER POSITION				
POSITION	1	2	3	4
EXTENSION (mm)	790	1200	1580	1960
SWL (kg)	2500	1200	900	750