

APPLICATIONS

Designed to load and unload bulk bags from inside containers. The inverted dual prong configuration minimizes over head interference and allows the forklift operator to engage and disengage bulk bags without leaving the drivers seat. Standard finish is safety yellow paint.

FEATURES

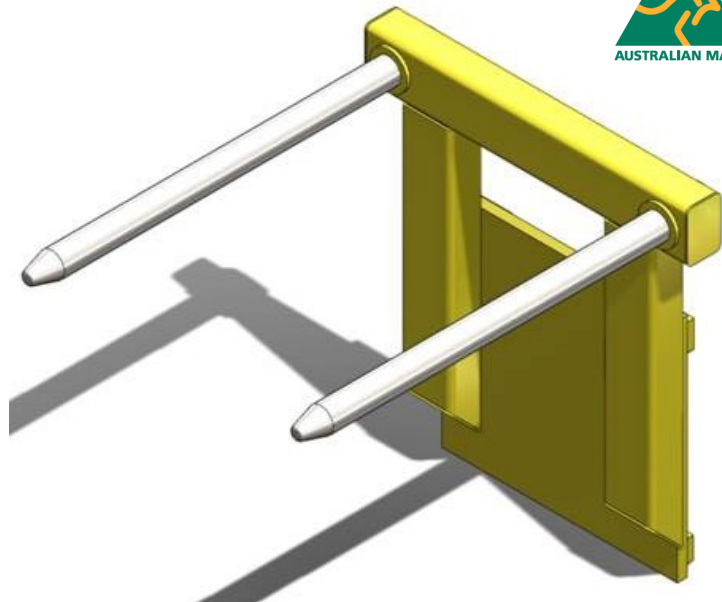
- Class III Carriage Mount
- Dual Prong Configuration
- Wide range of carriage mount available
- HSRD 151003
- Optional Stand available on request
- Australian Made

SPECIFICATIONS

Capacity:	3000kgs
Load Centre	600mm
Mounting	Class ITA3A
Weight:	350kg
Lost Load:	200mm
H C of G	212mm
V C of G	624mm

DIMENSIONS

Overall Length	1195mm
Overall Width:	1290mm
Overall Height:	1100mm
Probe Length:	1095mm
Probe Diameter:	70mm



Optional Stand Shown
Model No: HSBBP-Stand

