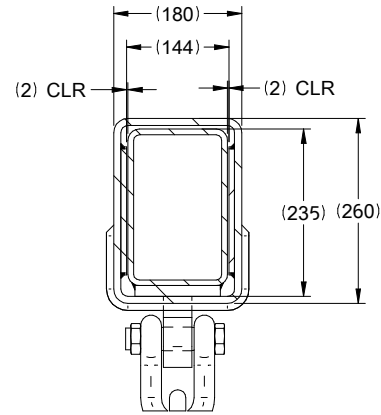
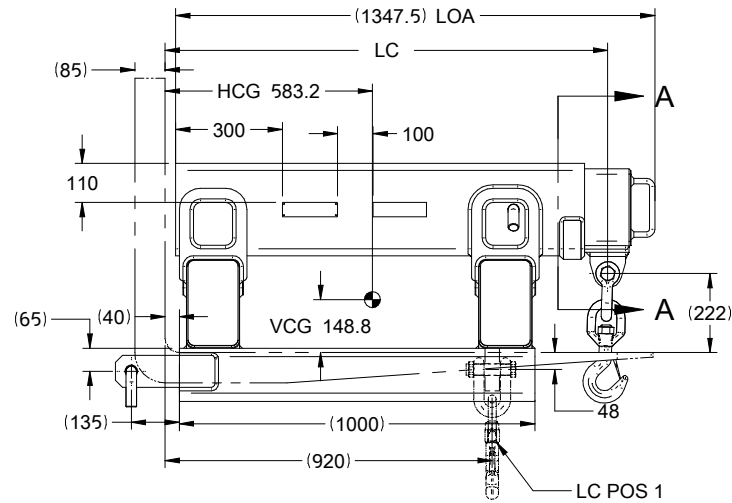
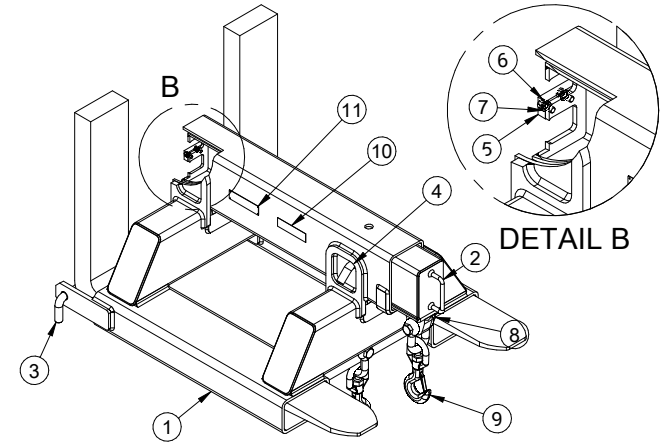
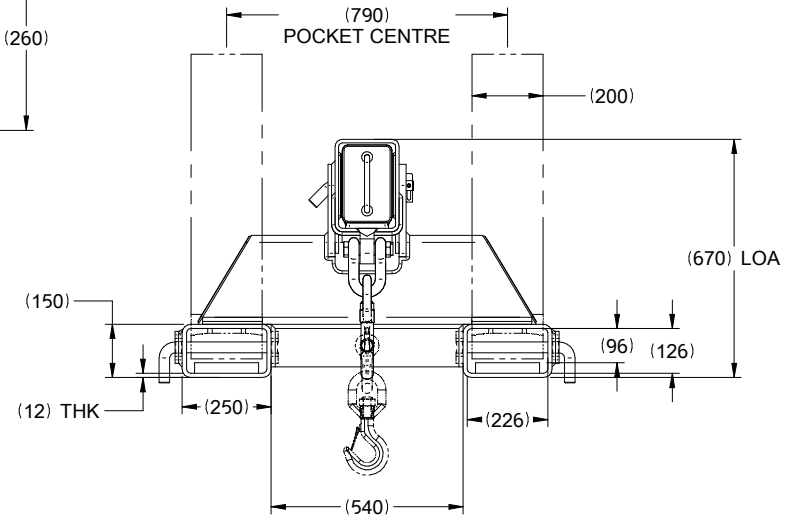


LC POSITION	LOAD CENTRE (LC) (MM)	CAPACITY (KG)
1	920	9500
2	1245	4800
3	1625	3600
4	2005	3000



SECTION A-A



o	o-o	PN	-----
1	1	1882683	MAIN WELDMENT
2	1	1882687	WELDMENT INNER BOOM
3	2	1874602	RETAINING PIN 30 DIA
4	1	1882610	LOCK PIN 30 DIA
5	1	1882673	BAR STOP
6	2	C-768825	SCR-SH M12X1.75 L20
7	2	C-681473	WSHR-LKSP M12 12.2-21.1-2.5
8	1	1882678	D SHACKLE 9.5 TONNE
9	1	1882680	SWIVEL HOOK WITH LATCH 11T
10	1	1882690	SWL DATA PLATE
11	1	1854228	NAMEPLATE
12	1	1854268	DECAL, STATUTORY WARNING

DATA PLATE INFORMATION  
 MODEL: 95A-JBE-F-0125  
 CAPACITY : 9500 KG AT 920 MM  
 ALTERNATE CAPACITY : REFER LOAD CHART  
 FORK POCKET SIZE : 226 X 96 MM (A)  
 WEIGHT : 459. KG  
 H.C. OF G : REFER TO DRAWING  
 V.C. OF G : REFER TO DRAWING

A-WAS 230X130	LISTED	<input checked="" type="checkbox"/> BHUSDSPET <input checked="" type="checkbox"/> DCHEW <input checked="" type="checkbox"/>
		2021-06-25
		459.kg
<small>SEE CASCADE ENGINEERING STANDARDS FOR DRAFTING CONVENTIONS. UNLESS OTHERWISE SPECIFIED ALL DIMENSIONS ARE IN MILLIMETERS. ALL POSITION TOLERANCES APPLY AT (Q). ENVELOPE REQUIREMENT, (D), APPLIES.</small>		

METRIC

**Cascade Corporation**  
 THIS DRAWING IS THE PROPERTY OF CASCADE AND CONTAINS CONFIDENTIAL INFORMATION. DO NOT REPRODUCE OR USE WITHOUT WRITTEN APPROVAL.

**FIXED JIB, SHORT 9.5T**

**95A-JBE-F-0125**

**9.5 TONNE**

1	SK-56120	R- 1
---	----------	------