

APPLICATIONS

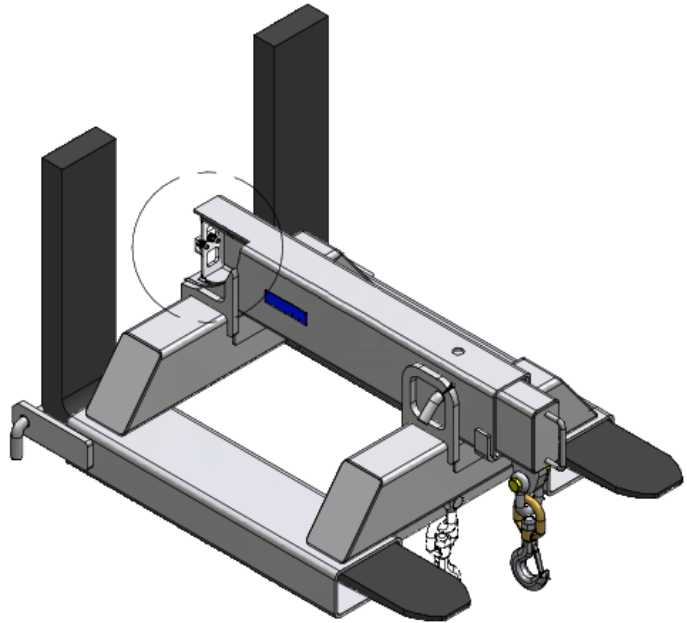
Cascade offers a number of fork mounted jib cranes that quickly convert a lift truck into a mobile crane to easily move non-palletised product. A variety of Jib Crane models for practically any application to increase lift truck versatility. Models include Multi-Angled, Flat, Slip-On, or Carriage- Mounted, allowing for effective slinging of loads beneath a hook.

SPECIFICATIONS

SWL	7500kg
H C of G	572mm
V C of G	100mm
Weight	347kg
Fork Pockets	200x75mm
Pocket Centres	790mm
Drawing Ref	SK-56115

DIMENSIONS

Length—Closed	1347mm
Length— Extended	2005mm
Height	580mm
Width	1080mm



NOTE: All lift truck attachments affect the safe working load of a lift truck. End users should consult their lift truck supplier to ensure the lift truck is rated for use with these attachments. In the case of a slung load when lifting a jib attachment, the net lifting capacity should be 0.8 times the rating of the lift truck to allow for the swinging load.

SAFE WORKING LOAD (SWL) PER POSITION				
POSITION	1	2	3	4
SWL (kg)	7500kgs	3600kgs	2700kgs	2250kgs
EXTENSION (mm)	920	1245	1625	2005

