

APPLICATIONS

Cascade offers a number of fork mounted jib cranes that quickly convert a lift truck into a mobile crane to easily move non-palletised product. A variety of Jib Crane models for practically any application to increase lift truck versatility. Models include Multi-Angled, Flat, Slip-On, or Carriage- Mounted, allowing for effective slinging of loads beneath a hook.

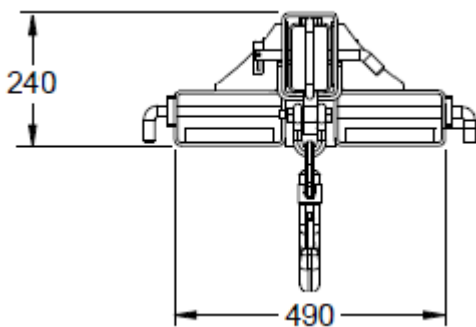
The standard finish on this attachment is zinc.

SPECIFICATIONS

SWL	4500kg
H C of G	810mm
V C of G	17mm
Weight	167kg
Fork Pockets	180x60mm
Pocket Centres	290mm
Drawing Ref	SK-27344



Note: All lift truck attachments affect the safe working load of a lift truck. End users should consult their lift truck supplier to ensure the lift truck is rated for use with these attachments. In the case of a slung load when lifting a jib attachment, the net lifting capacity should be 0.8 times the rating of the lift truck to allow for the swinging load. Please consult your local lift truck dealer



Position	SWL	Load Centre
1	4500kg	900mm
2	1650kg	2040mm
3	1250kg	2410mm
4	650kg	2780mm
5	450kg	3155mm
6	200kg	3495mm

